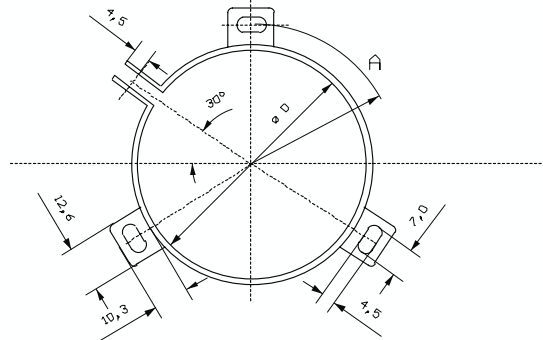
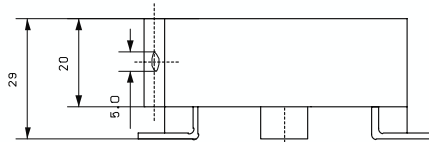
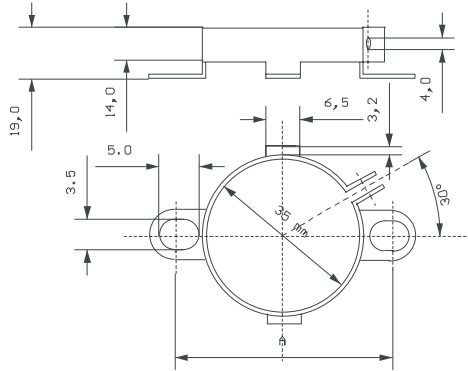


MOUNTING HARDWARE

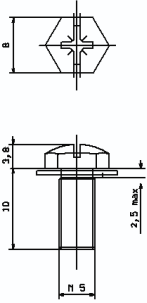
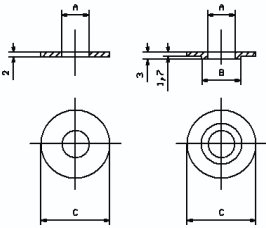
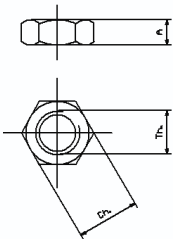
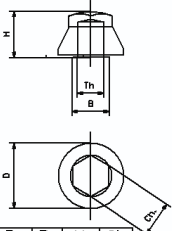
MOUNTING HARDWARE

RING CLIPS (Dimensions in mm.)



Ring clip code	D	A
ZAF-A	35	46
ZAF-B	51	63,5
ZAF-C	63	76
ZAF-D	76	89
ZAF-E	90	106

MOUNTING HARDWARE

<p style="text-align: center;">SCREW</p> 	<p style="text-align: center;">INSULATED WASHERS</p>  <table border="1" data-bbox="620 699 687 751"> <thead> <tr> <th>A</th> <th>C</th> </tr> </thead> <tbody> <tr> <td>8</td> <td>25</td> </tr> <tr> <td>12</td> <td>35</td> </tr> </tbody> </table> <table border="1" data-bbox="751 699 848 751"> <thead> <tr> <th>A</th> <th>B</th> <th>C</th> </tr> </thead> <tbody> <tr> <td>8</td> <td>18</td> <td>25</td> </tr> <tr> <td>12</td> <td>18</td> <td>35</td> </tr> </tbody> </table>	A	C	8	25	12	35	A	B	C	8	18	25	12	18	35																											
A	C																																										
8	25																																										
12	35																																										
A	B	C																																									
8	18	25																																									
12	18	35																																									
<p style="text-align: center;">METAL NUTS</p>  <table border="1" data-bbox="288 1091 468 1150"> <thead> <tr> <th>P/N</th> <th>Th</th> <th>A</th> <th>Ch</th> </tr> </thead> <tbody> <tr> <td>1121</td> <td>M8</td> <td>18</td> <td>17</td> </tr> <tr> <td>1277</td> <td>M12</td> <td>18</td> <td>19</td> </tr> </tbody> </table>	P/N	Th	A	Ch	1121	M8	18	17	1277	M12	18	19	<p style="text-align: center;">PLASTIC HEX NUTS (ON REQUEST)</p>  <table border="1" data-bbox="546 1066 770 1158"> <thead> <tr> <th>P/N</th> <th>Th</th> <th>B</th> <th>D</th> <th>H</th> <th>Ch</th> </tr> </thead> <tbody> <tr> <td>1210</td> <td>M8</td> <td>18</td> <td>25</td> <td>15</td> <td>17</td> </tr> <tr> <td>1126</td> <td>M12</td> <td>18</td> <td>30</td> <td>20</td> <td>19</td> </tr> <tr> <td>1502</td> <td>M12</td> <td>22,5</td> <td>30</td> <td>18</td> <td>19</td> </tr> <tr> <td>1508</td> <td>M12</td> <td>30</td> <td>38</td> <td>18</td> <td>19</td> </tr> </tbody> </table>	P/N	Th	B	D	H	Ch	1210	M8	18	25	15	17	1126	M12	18	30	20	19	1502	M12	22,5	30	18	19	1508	M12	30	38	18	19
P/N	Th	A	Ch																																								
1121	M8	18	17																																								
1277	M12	18	19																																								
P/N	Th	B	D	H	Ch																																						
1210	M8	18	25	15	17																																						
1126	M12	18	30	20	19																																						
1502	M12	22,5	30	18	19																																						
1508	M12	30	38	18	19																																						