

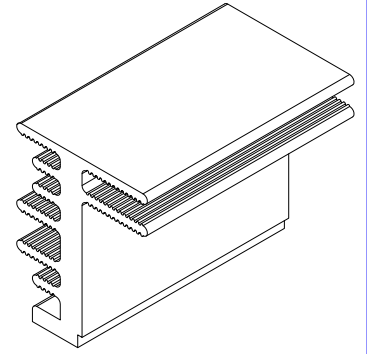
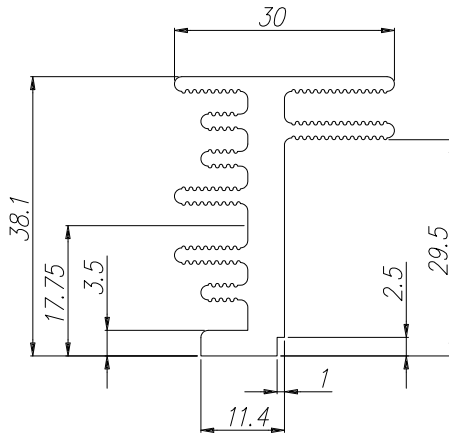
A

A30

Peso Kg/m
Weight Kg/m 0.69

Rt °C/W 3.2

Lung. campione mm
Sample length mm 100



ATECNAL
BOLOGNA - ITALY

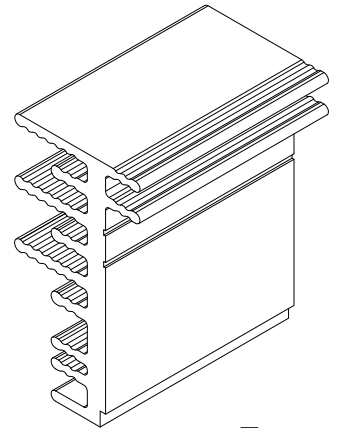
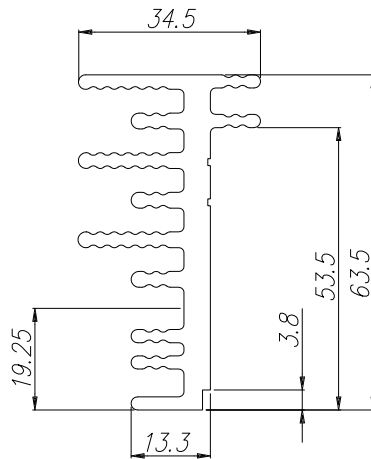
B

AX34

Peso Kg/m
Weight Kg/m 1.20

Rt °C/W 3.2

Lung. campione mm
Sample length mm 100



ATECNAL
BOLOGNA - ITALY

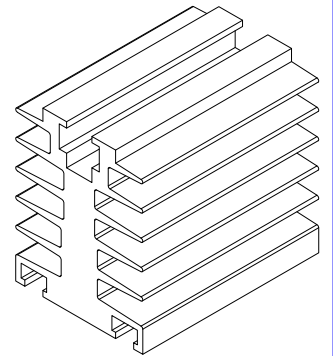
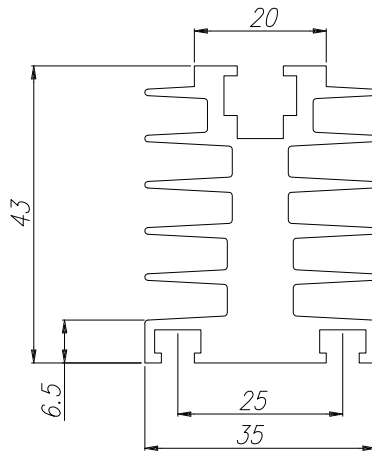
C

A43

Peso Kg/m
Weight Kg/m 1.88

Rt °C/W 3.3

Lung. campione mm
Sample length mm 100



ATECNAL
BOLOGNA - ITALY

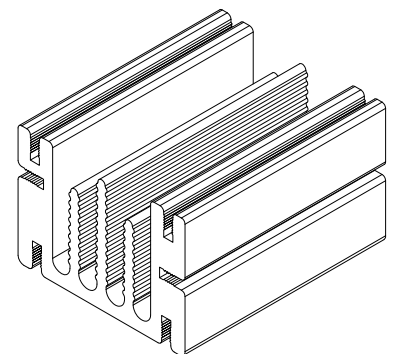
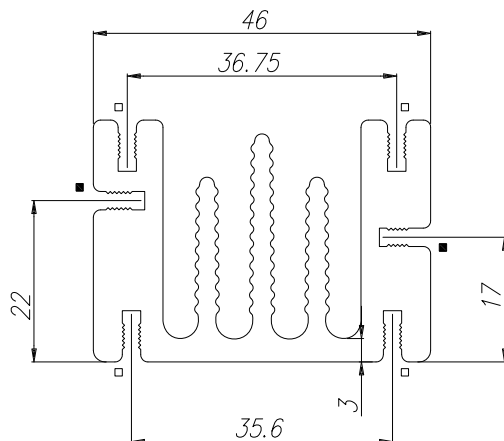
D

A46

Peso Kg/m
Weight Kg/m 2.16

Rt °C/W 1.8

Lung. campione mm
Sample length mm 100



- Cava per M3
- Cava per M4

ATECNAL
BOLOGNA - ITALY

A

A54	
Peso Kg/m Weight Kg/m	2.20
Rt °C/W	--
Lung. campione mm Sample length mm	100

ATECNAL
BOLOGNA - ITALY

B

A55	
Peso Kg/m Weight Kg/m	1.70
Rt °C/W	3.5
Lung. campione mm Sample length mm	100

■ Cava per M3

ATECNAL
BOLOGNA - ITALY

C

A59	
Peso Kg/m Weight Kg/m	2.85
Rt °C/W	2.4
Lung. campione mm Sample length mm	100

ATECNAL
BOLOGNA - ITALY

D

A60	
Peso Kg/m Weight Kg/m	2.85
Rt °C/W	2.4
Lung. campione mm Sample length mm	100

○ Cava per autofilettante

ATECNAL
BOLOGNA - ITALY

A

A75	
Peso Kg/m Weight Kg/m	4.18
Rt °C/W	1.75
Lung. campione mm Sample length mm	100

ATECNAL
BOLOGNA - ITALY

B

A80	
Peso Kg/m Weight Kg/m	3.58
Rt °C/W	1.6
Lung. campione mm Sample length mm	100

ATECNAL
BOLOGNA - ITALY

C

A82	
Peso Kg/m Weight Kg/m	3.15
Rt °C/W	--
Lung. campione mm Sample length mm	100

ATECNAL
BOLOGNA - ITALY

D

A90	
Peso Kg/m Weight Kg/m	6.85
Rt °C/W	0.9
Lung. campione mm Sample length mm	150

ATECNAL
BOLOGNA - ITALY

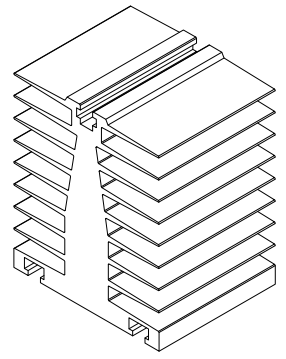
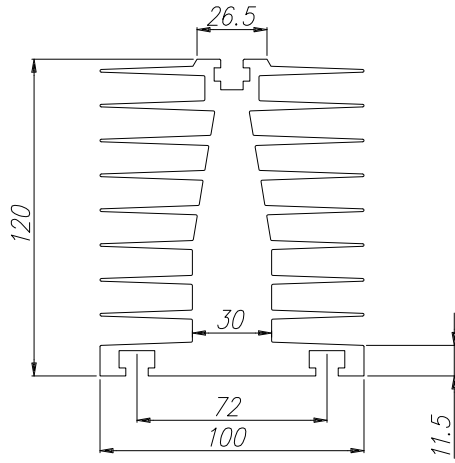
A

A120

Peso Kg/m
Weight Kg/m 14.50

Rt °C/W 0.6

Lung. campione mm
Sample length mm 100



ATECNAL
BOLOGNA - ITALY

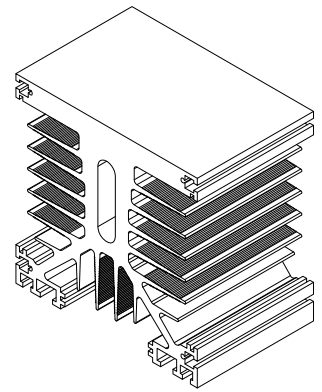
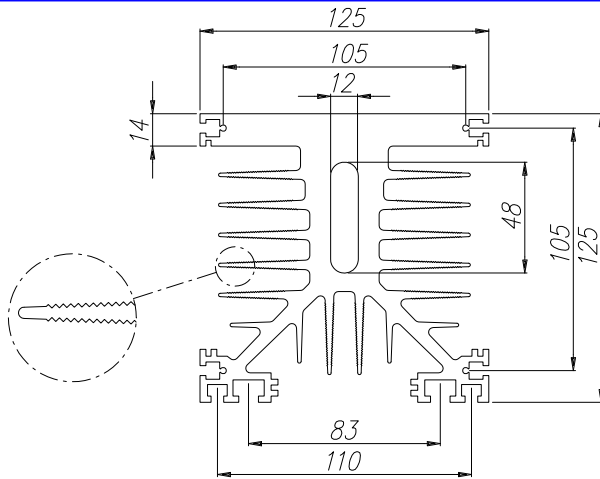
B

A125

Peso Kg/m
Weight Kg/m 15.30

Rt °C/W 0.5

Lung. campione mm
Sample length mm 200



ATECNAL
BOLOGNA - ITALY

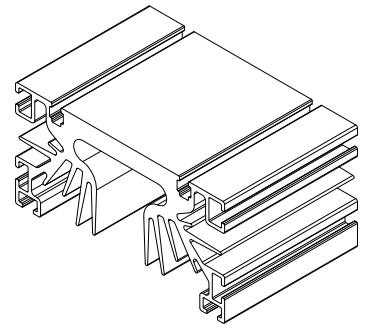
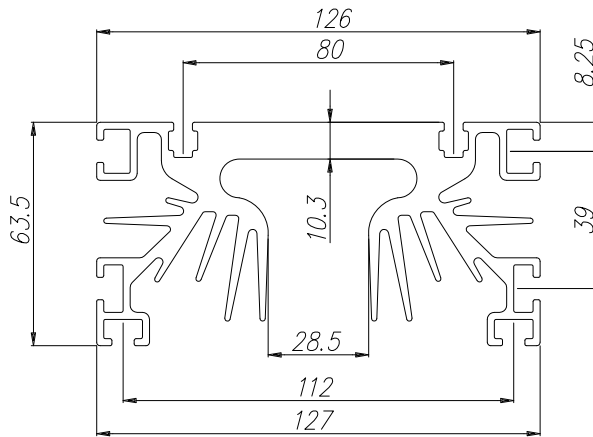
C

K126

Peso Kg/m
Weight Kg/m 6.98

Rt °C/W 0.8

Lung. campione mm
Sample length mm 100



ATECNAL
BOLOGNA - ITALY

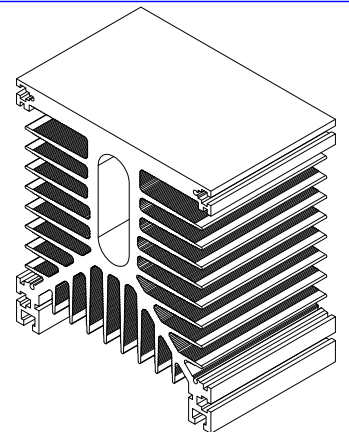
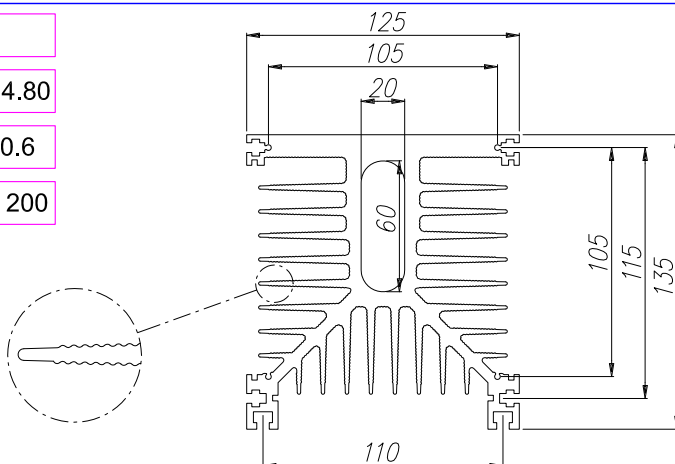
D

A134

Peso Kg/m
Weight Kg/m 14.80

Rt °C/W 0.6

Lung. campione mm
Sample length mm 200



ATECNAL
BOLOGNA - ITALY

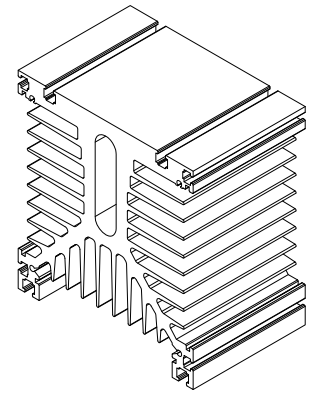
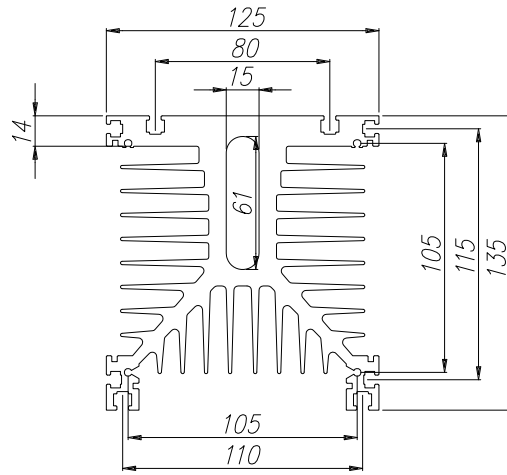
A

A135

Peso Kg/m **15.50**
Weight Kg/m

Rt °C/W **0.5**

Lung. campione mm **200**
Sample length mm



ATECNAL
BOLOGNA - ITALY

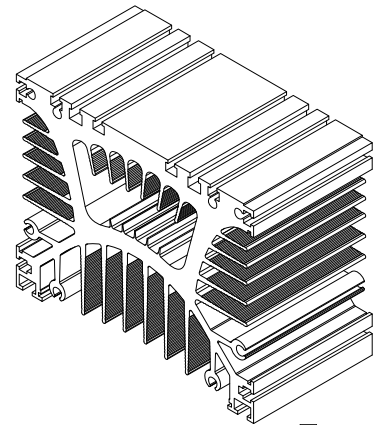
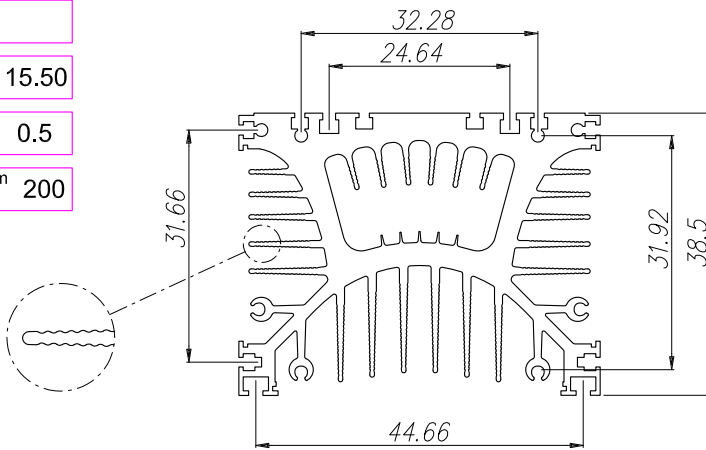
B

A160

Peso Kg/m **15.50**
Weight Kg/m

Rt °C/W **0.5**

Lung. campione mm **200**
Sample length mm



ATECNAL
BOLOGNA - ITALY

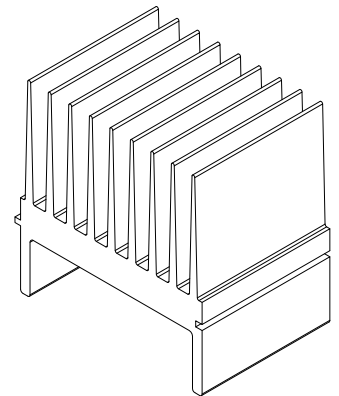
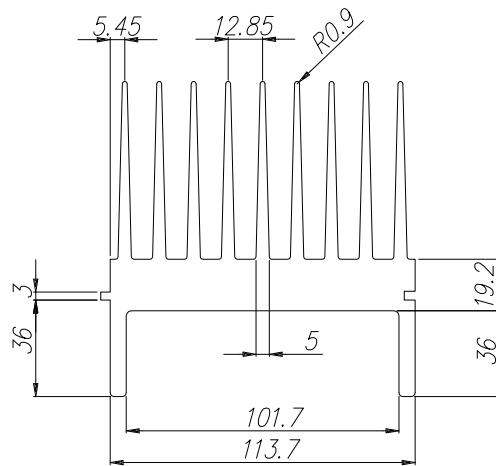
C

X117

Peso Kg/m **12.40**
Weight Kg/m

Rt °C/W **0.45**

Lung. campione mm **200**
Sample length mm



ATECNAL
BOLOGNA - ITALY

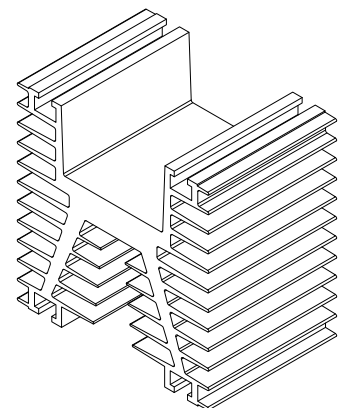
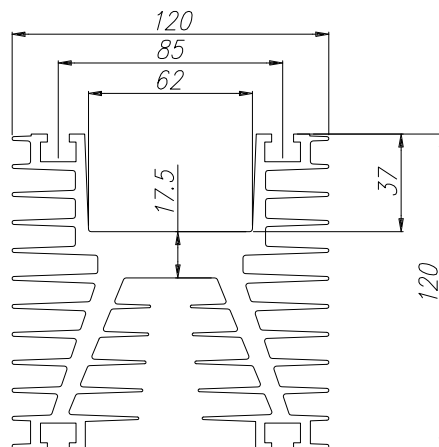
D

Z120

Peso Kg/m **11.40**
Weight Kg/m

Rt °C/W **0.6**

Lung. campione mm **200**
Sample length mm



ATECNAL
BOLOGNA - ITALY