

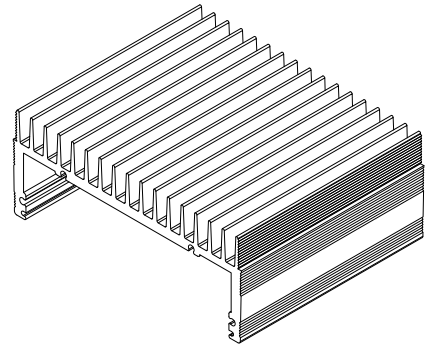
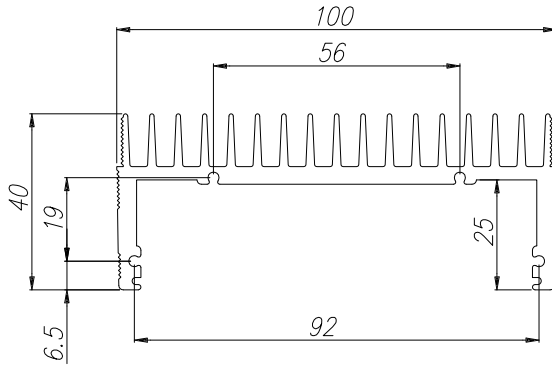
C100

Peso Kg/m  
Weight Kg/m 2.40

Rt °C/W 2.2

Lung. campione mm  
Sample length mm 100

A



ATECNAL  
BOLOGNA - ITALY

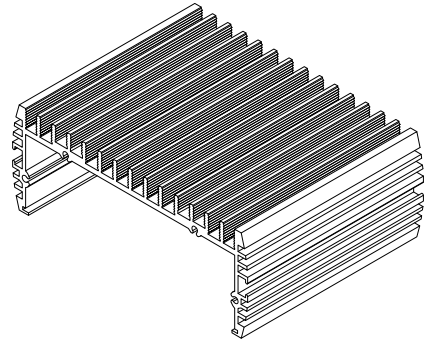
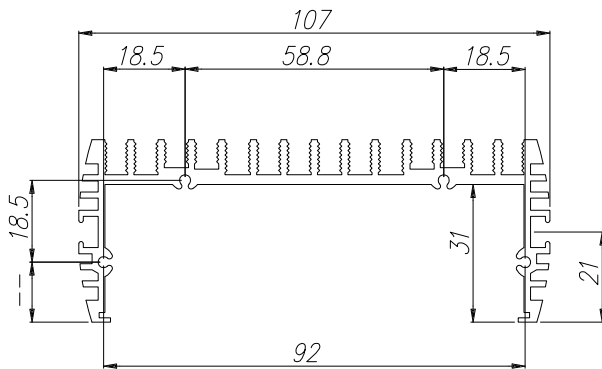
C107

Peso Kg/m  
Weight Kg/m 1.96

Rt °C/W 2.6

Lung. campione mm  
Sample length mm 100

B



ATECNAL  
BOLOGNA - ITALY

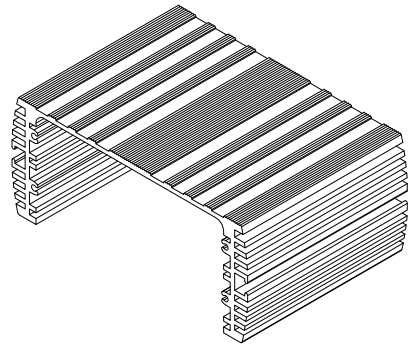
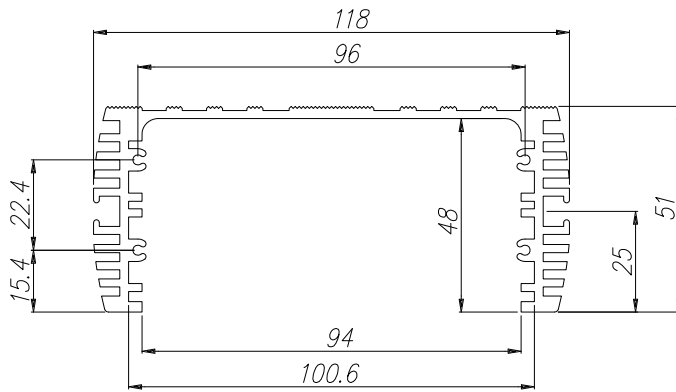
C118

Peso Kg/m  
Weight Kg/m 2.40

Rt °C/W 2.1

Lung. campione mm  
Sample length mm 150

C



ATECNAL  
BOLOGNA - ITALY

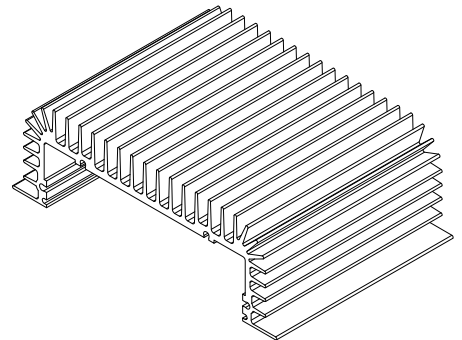
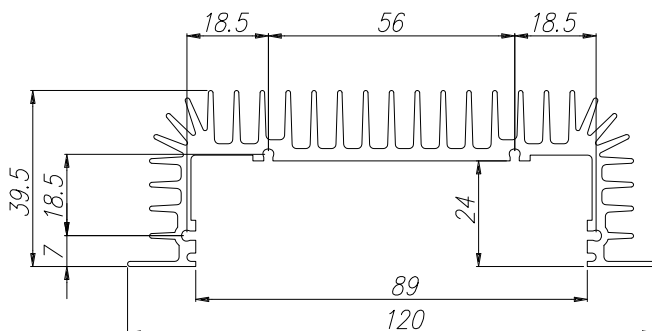
C120

Peso Kg/m  
Weight Kg/m 2.25

Rt °C/W 1.2

Lung. campione mm  
Sample length mm 150

D



ATECNAL  
BOLOGNA - ITALY

C180

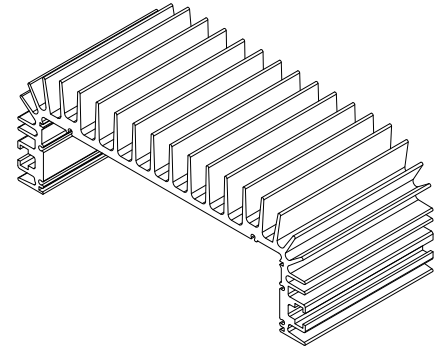
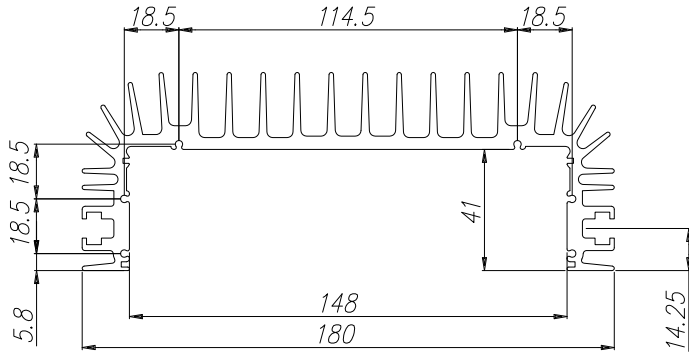
Peso Kg/m  
Weight Kg/m

5.60

Rt °C/W 0.7

Lung. campione mm  
Sample length mm 200

A



ATECNAL  
BOLOGNA - ITALY

C185

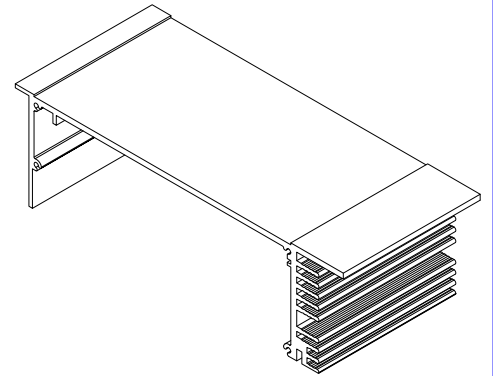
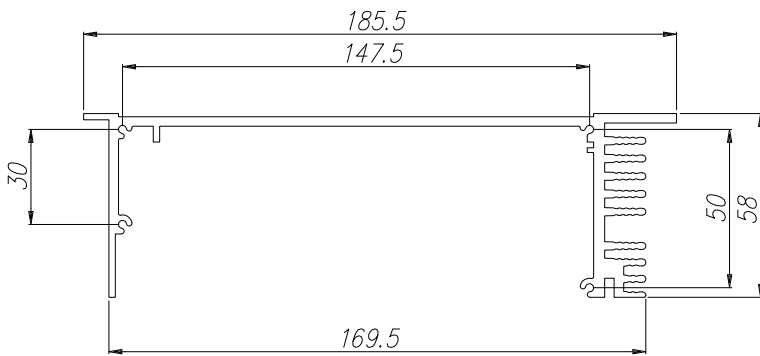
Peso Kg/m  
Weight Kg/m

3.30

Rt °C/W 1.5

Lung. campione mm  
Sample length mm 200

B



ATECNAL  
BOLOGNA - ITALY

C190

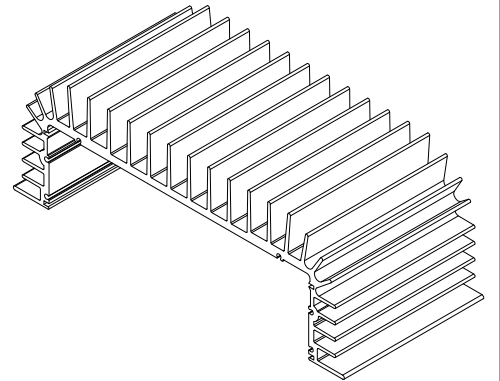
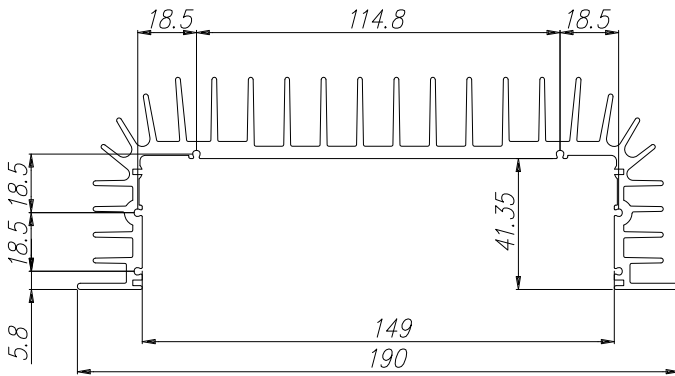
Peso Kg/m  
Weight Kg/m

4.80

Rt °C/W 0.9

Lung. campione mm  
Sample length mm 150

C



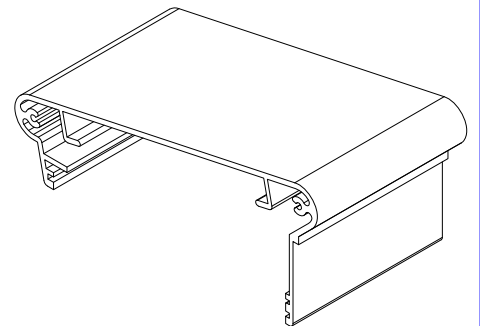
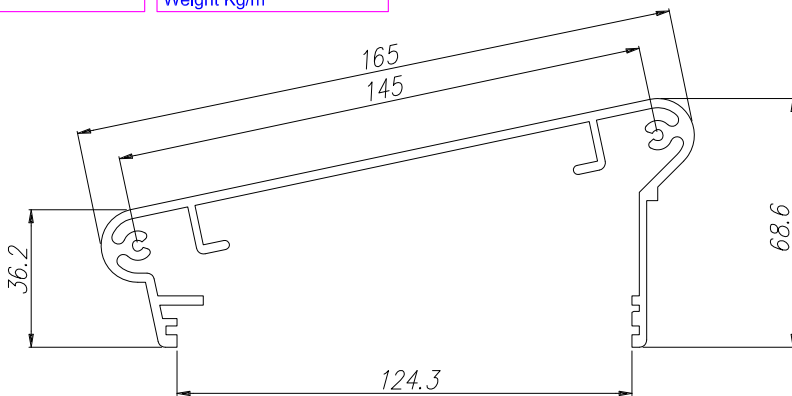
ATECNAL  
BOLOGNA - ITALY

CONSL

Peso Kg/m  
Weight Kg/m

2.36

D



ATECNAL  
BOLOGNA - ITALY