

T50

Peso Kg/m
Weight Kg/m

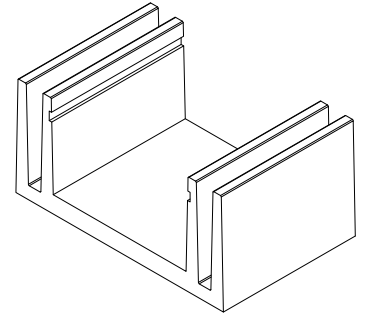
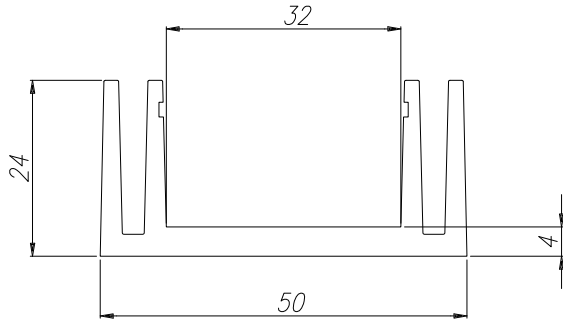
1.20

Rt °C/W 4.7

Lung. campione mm
Sample length mm

100

A



ATECNAL
BOLOGNA - ITALY

T54

Peso Kg/m
Weight Kg/m

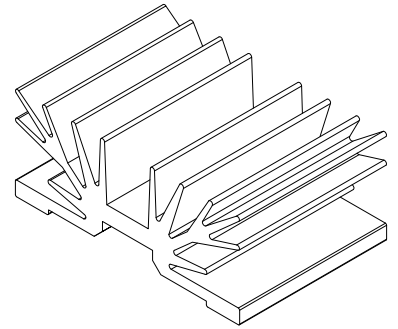
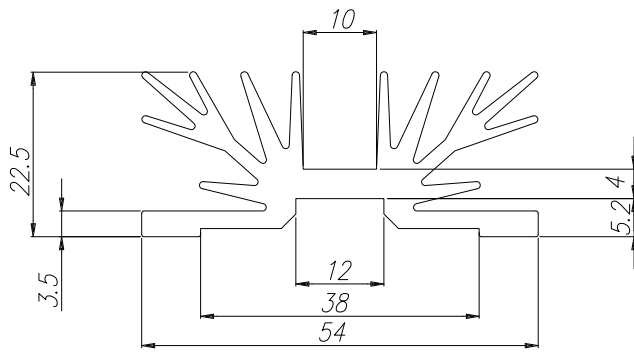
1.24

Rt °C/W 3.3

Lung. campione mm
Sample length mm

100

B



ATECNAL
BOLOGNA - ITALY

T60

Peso Kg/m
Weight Kg/m

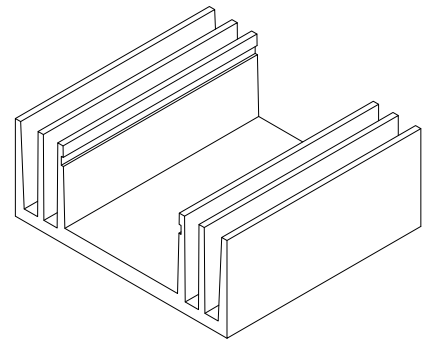
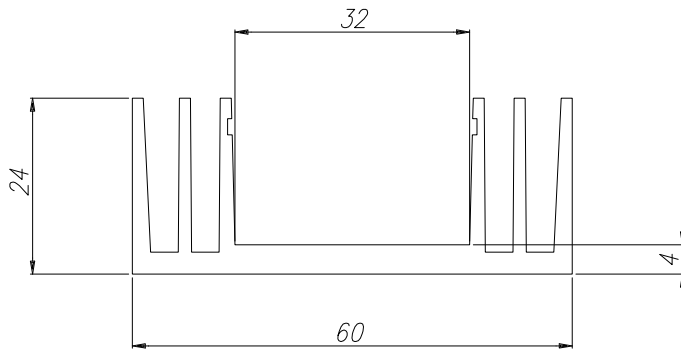
1.23

Rt °C/W 4.1

Lung. campione mm
Sample length mm

100

C



ATECNAL
BOLOGNA - ITALY

T63

Peso Kg/m
Weight Kg/m

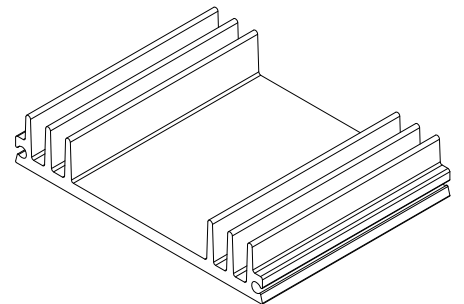
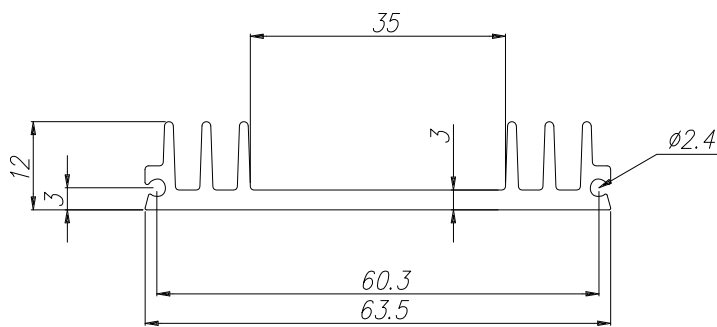
0.69

Rt °C/W 4.8

Lung. campione mm
Sample length mm

100

D



ATECNAL
BOLOGNA - ITALY

TE65

Peso Kg/m
Weight Kg/m

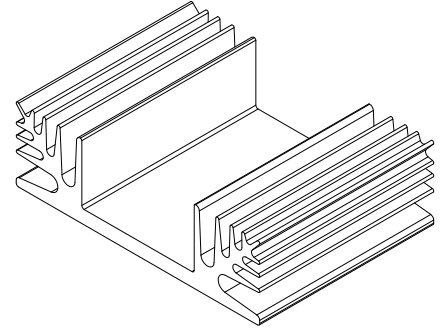
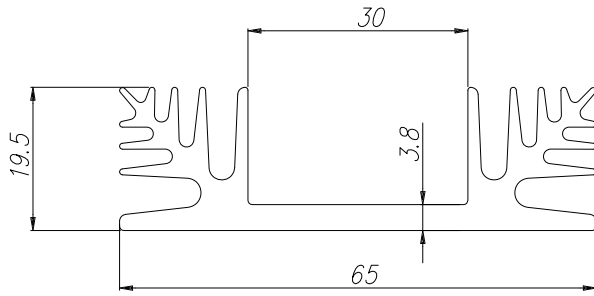
1.30

Rt °C/W 3.0

Lung. campione mm
Sample length mm

100

A



ATECNAL
BOLOGNA - ITALY

T70

Peso Kg/m
Weight Kg/m

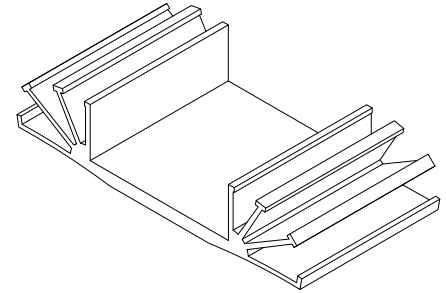
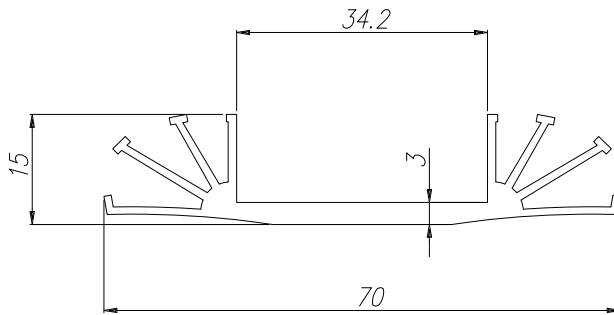
0.71

Rt °C/W 3.8

Lung. campione mm
Sample length mm

100

B



ATECNAL
BOLOGNA - ITALY

TE70

Peso Kg/m
Weight Kg/m

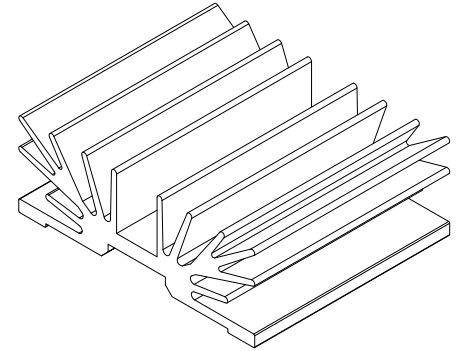
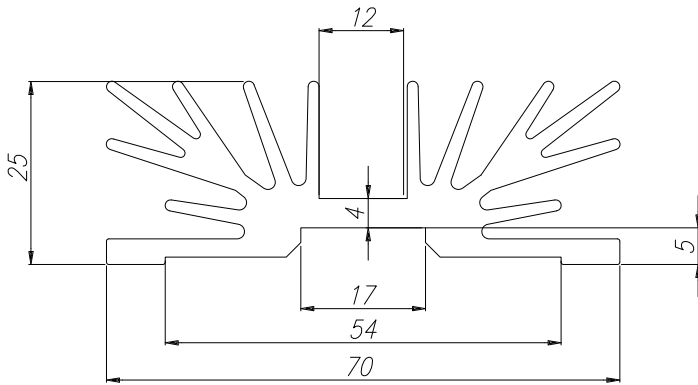
1.84

Rt °C/W --

Lung. campione mm
Sample length mm

100

C



ATECNAL
BOLOGNA - ITALY

T80

Peso Kg/m
Weight Kg/m

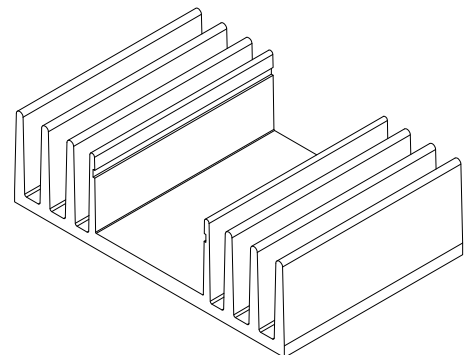
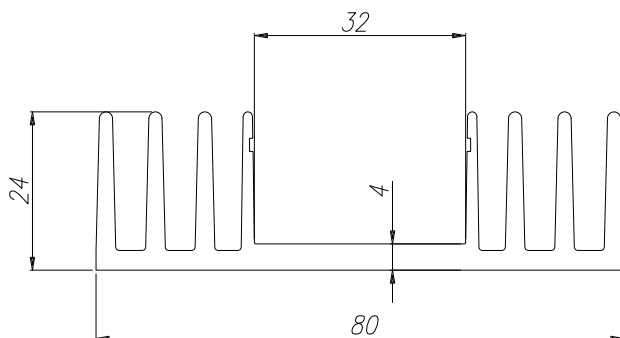
1.80

Rt °C/W 3.6

Lung. campione mm
Sample length mm

100

D



ATECNAL
BOLOGNA - ITALY

TE80

Peso Kg/m
Weight Kg/m

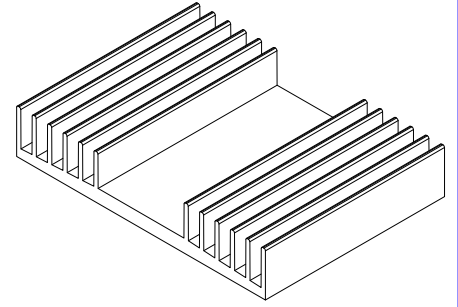
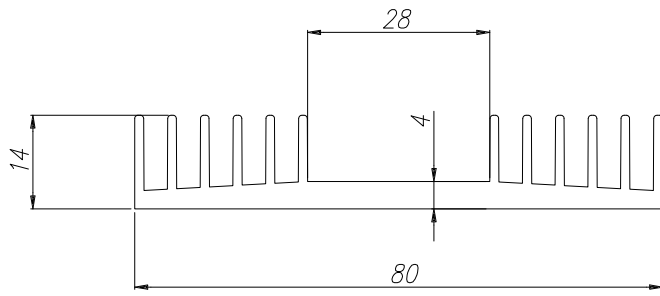
1.20

Rt °C/W 4.1

Lung. campione mm
Sample length mm

100

A



ATECNAL
BOLOGNA - ITALY

T88

Peso Kg/m
Weight Kg/m

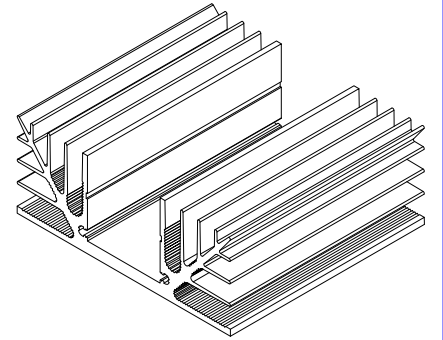
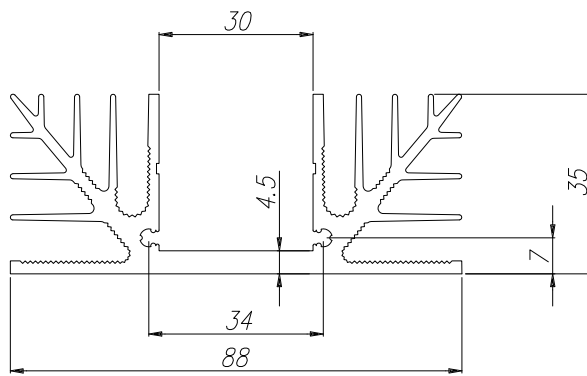
2.37

Rt °C/W 1.7

Lung. campione mm
Sample length mm

100

B



ATECNAL
BOLOGNA - ITALY

T94

Peso Kg/m
Weight Kg/m

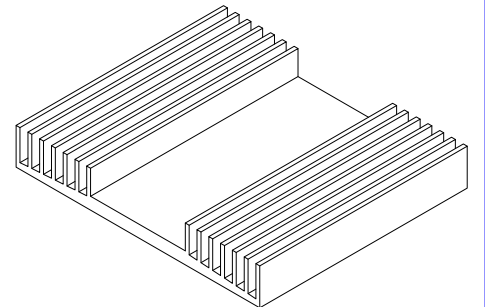
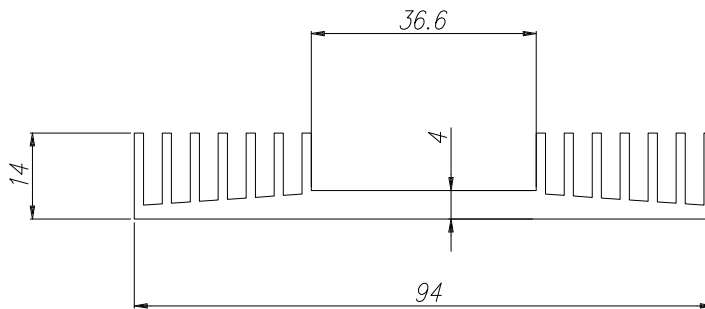
1.55

Rt °C/W 3.1

Lung. campione mm
Sample length mm

100

C



ATECNAL
BOLOGNA - ITALY

T97

Peso Kg/m
Weight Kg/m

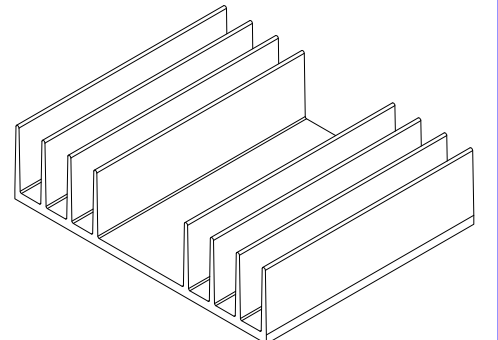
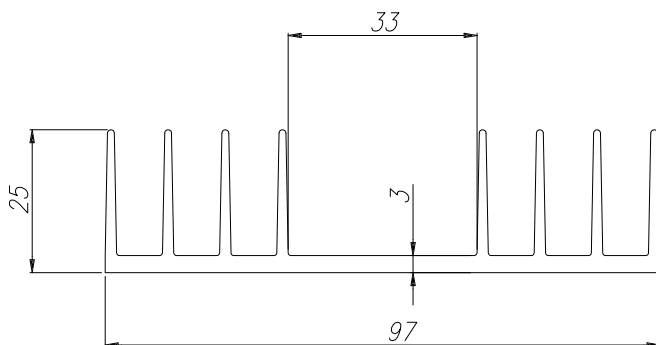
1.50

Rt °C/W 2.6

Lung. campione mm
Sample length mm

100

D



ATECNAL
BOLOGNA - ITALY

TEA100

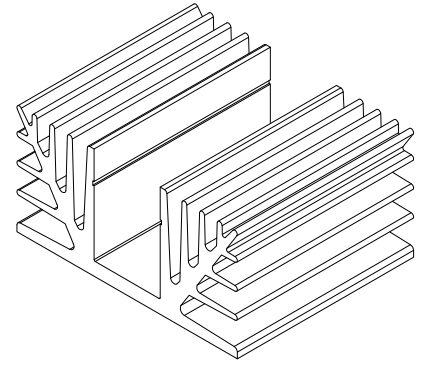
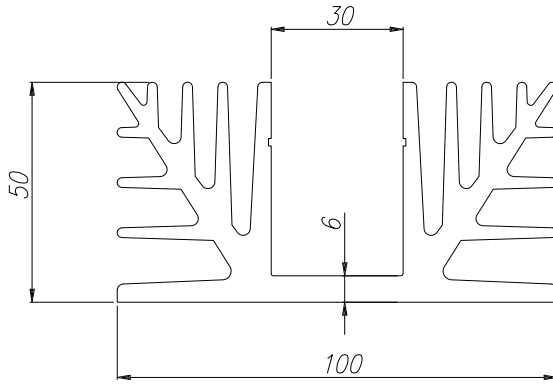
Peso Kg/m
Weight Kg/m

4.20

Rt °C/W 1.6

Lung. campione mm
Sample length mm 100

A



ATECNAL
BOLOGNA - ITALY

TEAX100

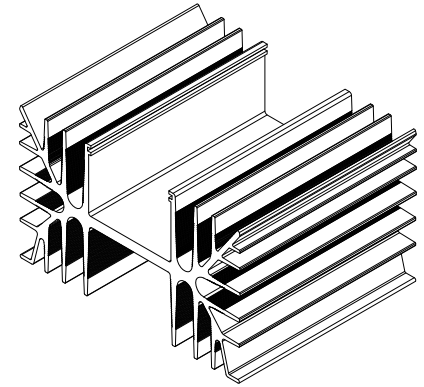
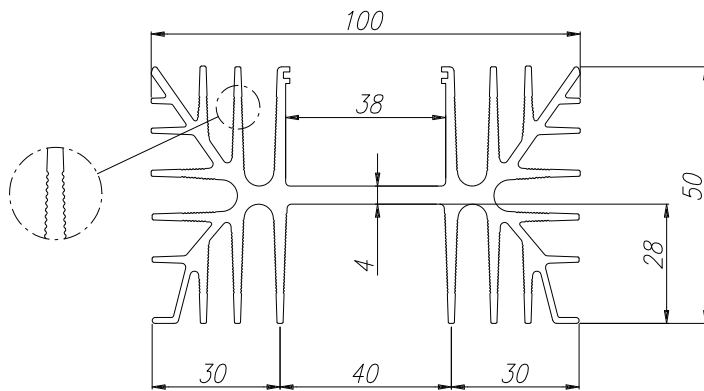
Peso Kg/m
Weight Kg/m

3.13

Rt °C/W 1.1

Lung. campione mm
Sample length mm 100

B



ATECNAL
BOLOGNA - ITALY

TE105

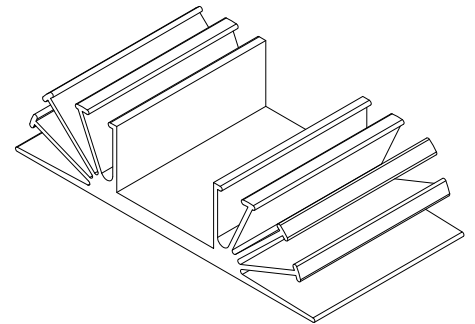
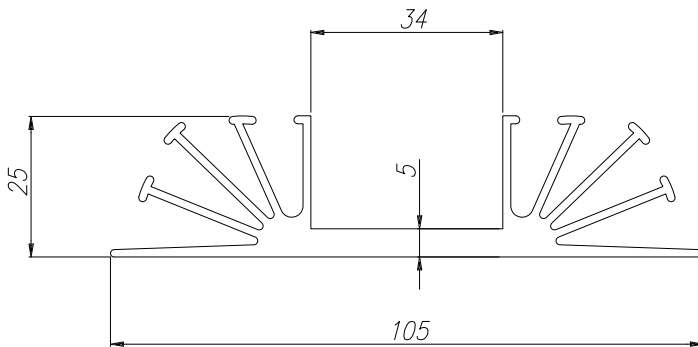
Peso Kg/m
Weight Kg/m

1.80

Rt °C/W 2.0

Lung. campione mm
Sample length mm 100

C



ATECNAL
BOLOGNA - ITALY

T106

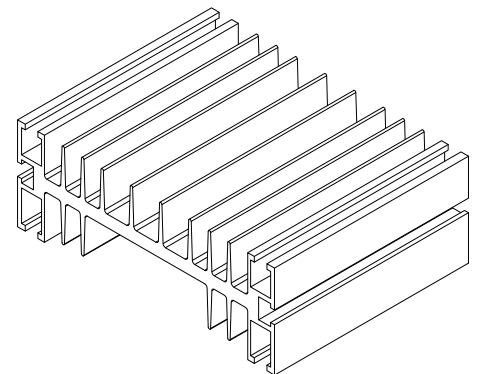
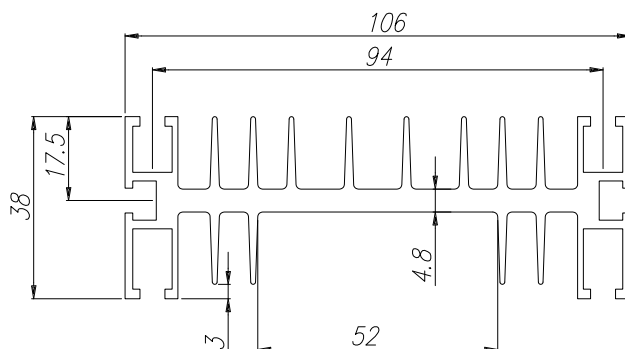
Peso Kg/m
Weight Kg/m

1.80

Rt °C/W 2.0

Lung. campione mm
Sample length mm 100

D



ATECNAL
BOLOGNA - ITALY

T115

Peso Kg/m
Weight Kg/m

2.16

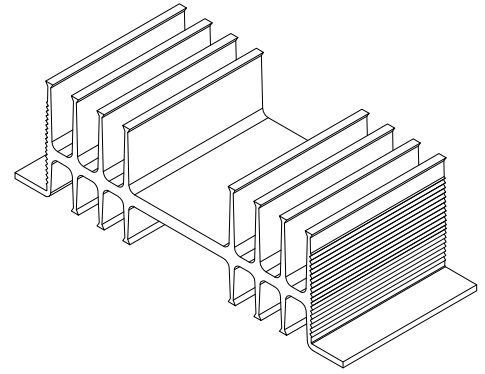
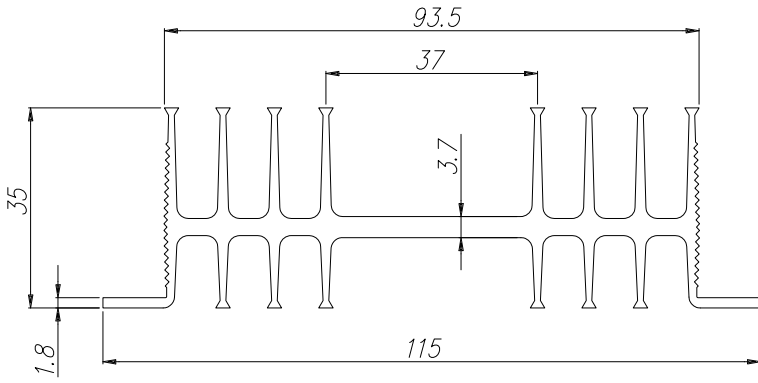
Rt °C/W

1.9

Lung. campione mm
Sample length mm

100

A



ATECNAL
BOLOGNA - ITALY

TEA120

Peso Kg/m
Weight Kg/m

3.95

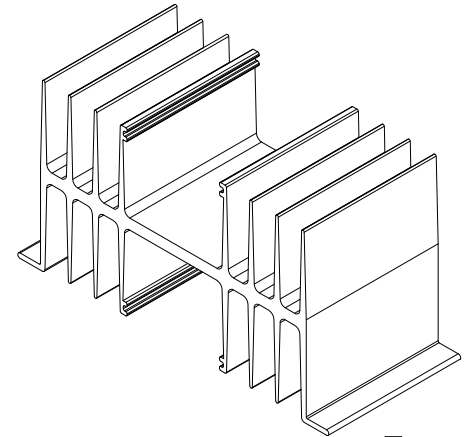
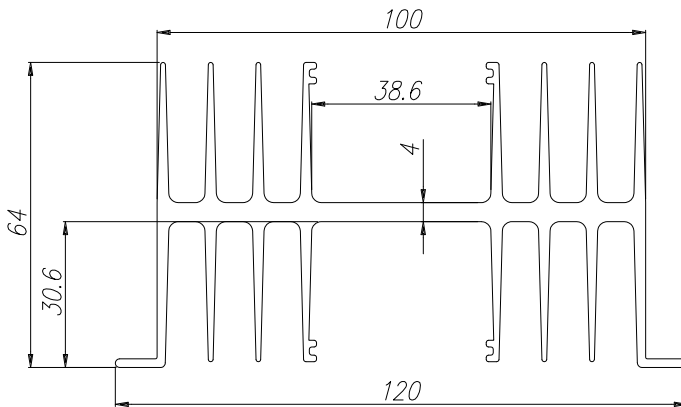
Rt °C/W

1.0

Lung. campione mm
Sample length mm

100

B



ATECNAL
BOLOGNA - ITALY

TEAX120

Peso Kg/m
Weight Kg/m

1.80

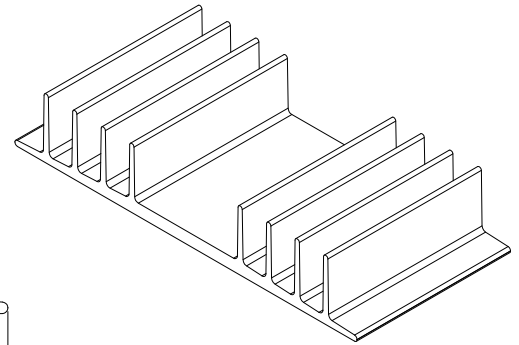
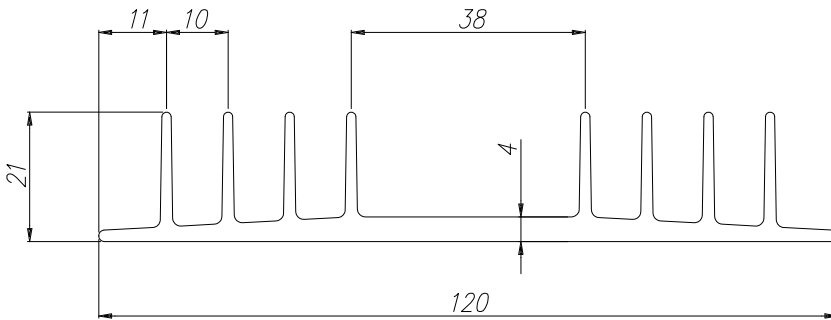
Rt °C/W

2.2

Lung. campione mm
Sample length mm

100

C



ATECNAL
BOLOGNA - ITALY

T130

Peso Kg/m
Weight Kg/m

1.80

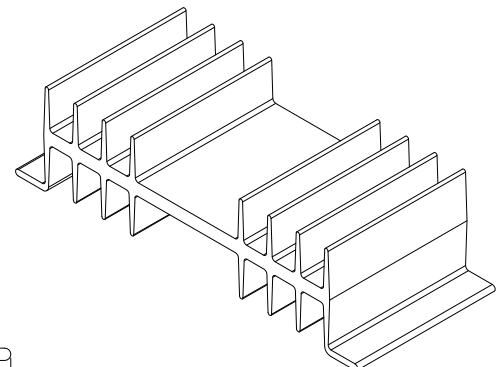
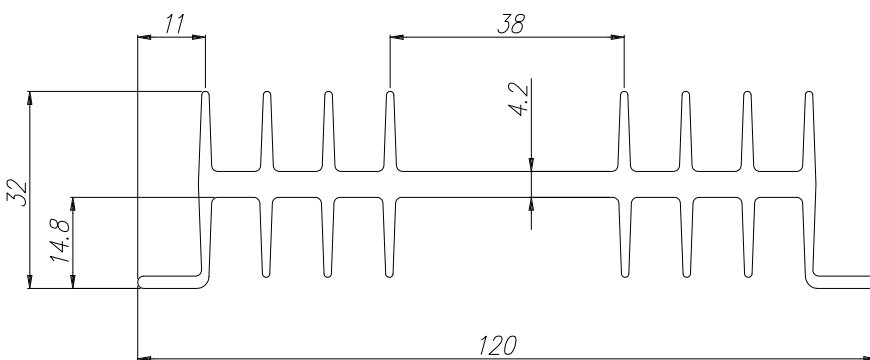
Rt °C/W

2.2

Lung. campione mm
Sample length mm

100

D



ATECNAL
BOLOGNA - ITALY

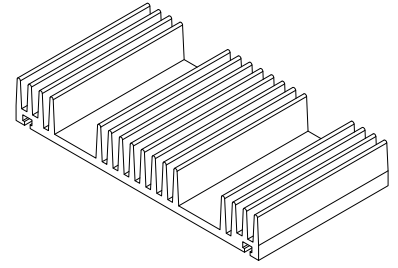
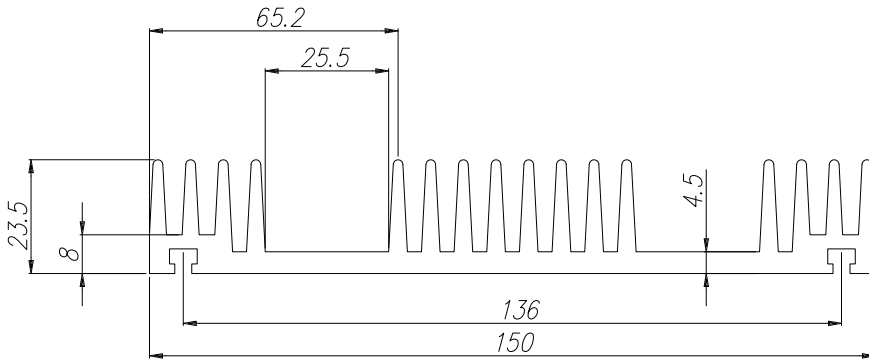
T150

Peso Kg/m
Weight Kg/m 3.30

Rt °C/W 1.1

Lung. campione mm
Sample length mm 100

A



ATECNAL
BOLOGNA - ITALY

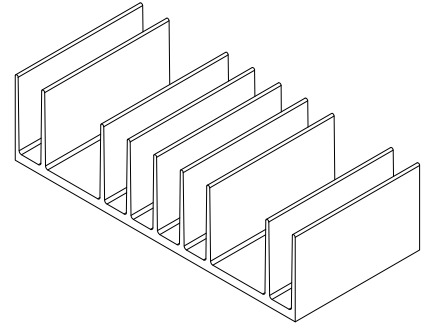
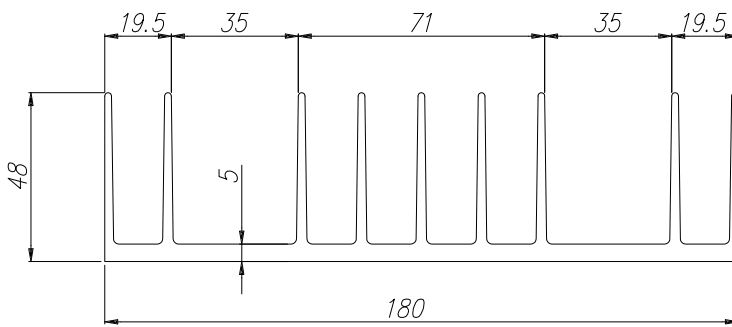
T180

Peso Kg/m
Weight Kg/m 4.65

Rt °C/W --

Lung. campione mm
Sample length mm --

B



ATECNAL
BOLOGNA - ITALY

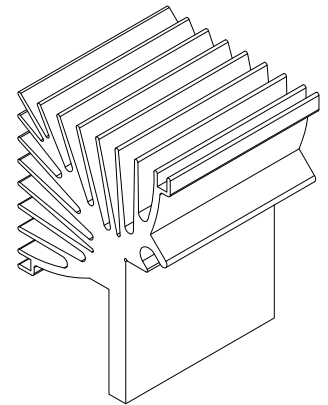
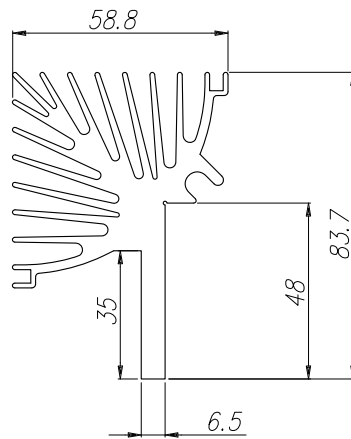
VF

Peso Kg/m
Weight Kg/m 3.80

Rt °C/W 0.45

Lung. campione mm
Sample length mm 100

C



ATECNAL
BOLOGNA - ITALY

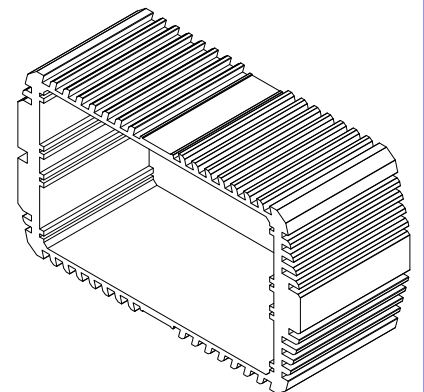
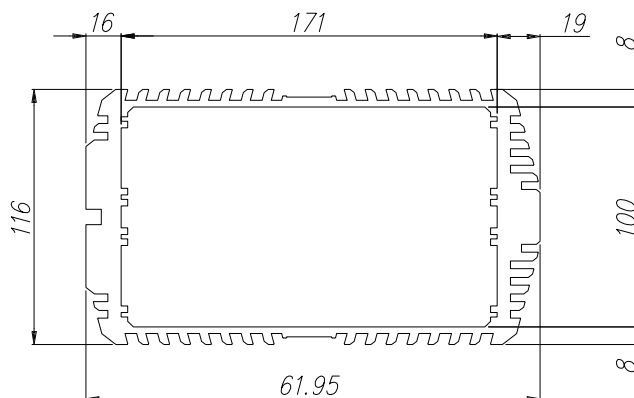
SCS206

Peso Kg/m
Weight Kg/m 12.70

Rt °C/W --

Lung. campione mm
Sample length mm --

D



ATECNAL
BOLOGNA - ITALY