

DISSIPATORI STANDARD PER CIRCUITI STAMPATI E ACCESSORISTICA

TECNOAL presenta in questa brochure la propria gamma di dissipatori standard e accessori per circuiti stampati impegnati in ambito elettronico.

I dissipatori qui illustrati sono normalmente disponibili a magazzino, ma possono essere anche personalizzati a seconda delle necessità del cliente e dei quantitativi richiesti.

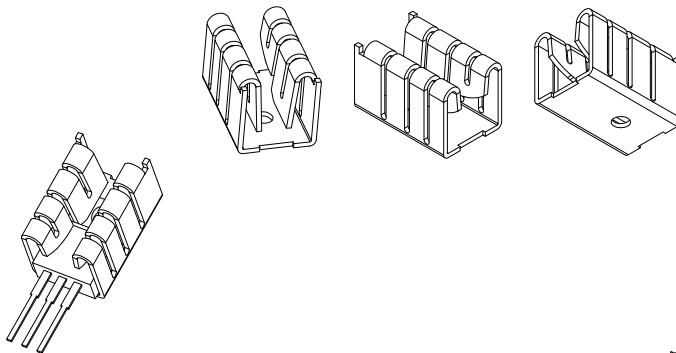
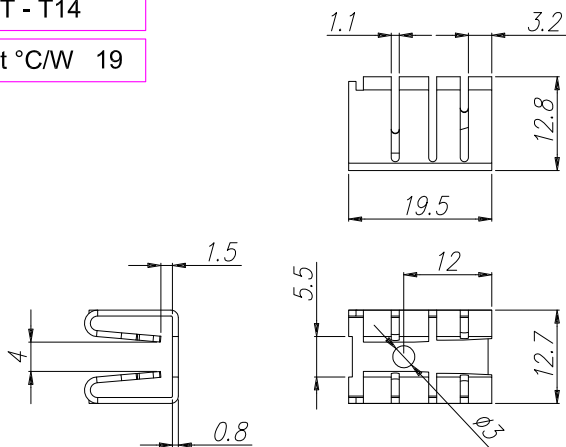
Tecnoal da sempre sensibile alle esigenze dei propri clienti cerca di aggiornare la propria gamma di prodotti al fine di assecondare le necessità dei propri clienti.

A

STANDARD HEATSINKS - DISSIPATORI STANDARD

ST - T14

Rt °C/W 19



Aluminium, pre-paint  
Aluminium, pre-black anodized  
Aluminium, raw

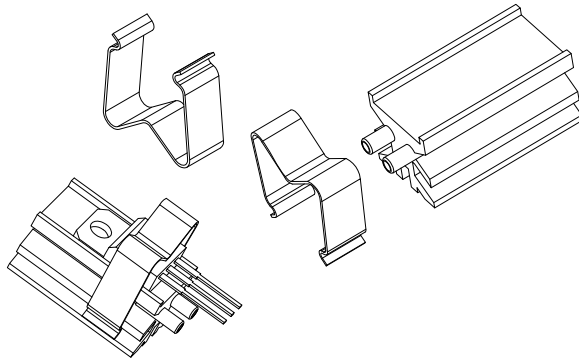
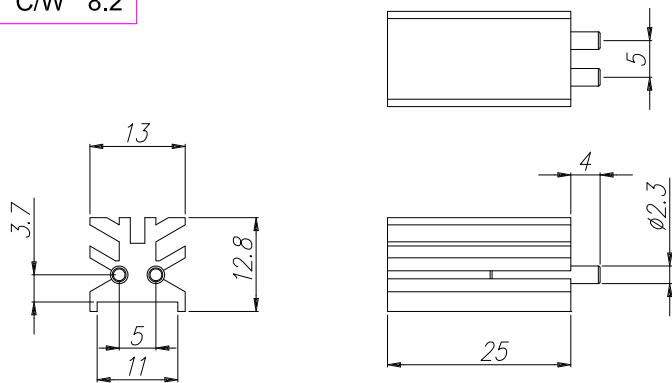
on stock  
on request  
on request

TECNOAL  
BOLOGNA - ITALY

B

ST - T13/25

Rt °C/W 8.2



Aluminium, black anodized  
Aluminium, pre-black anodized  
Aluminium, raw  
Other dimensions on request

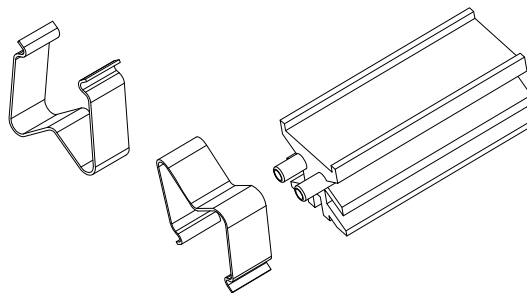
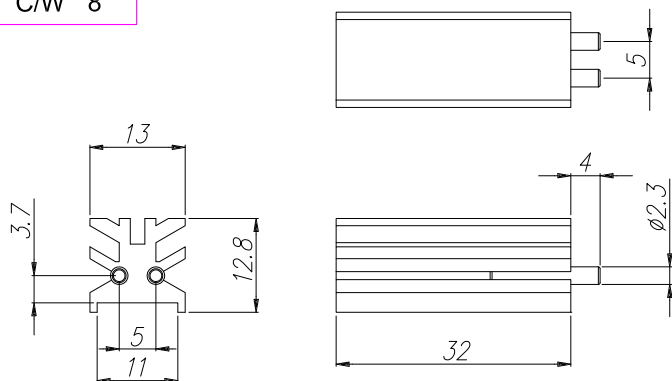
on stock  
on request  
on request

TECNOAL  
BOLOGNA - ITALY

C

ST - T13/32

Rt °C/W 8



Aluminium, black anodized  
Aluminium, pre-black anodized  
Aluminium, raw  
Other dimensions on request

on stock  
on request  
on request

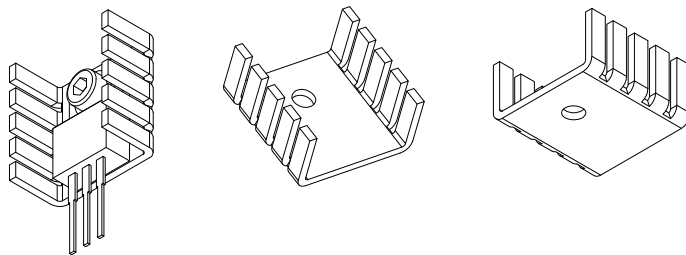
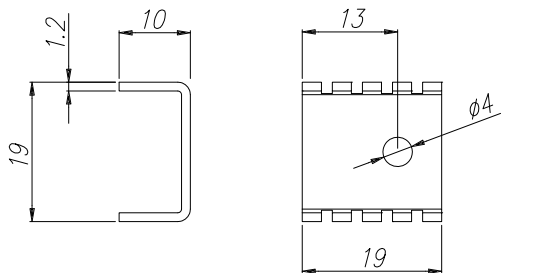
TECNOAL  
BOLOGNA - ITALY

D

ST - TE19

Rt °C/W 55

A



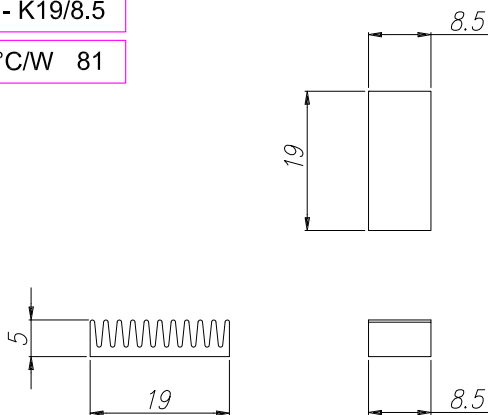
Aluminium, black anodized **on stock**  
 Aluminium, pre-black anodized on request  
 Aluminium, raw on request



ST - K19/8.5

Rt °C/W 81

B



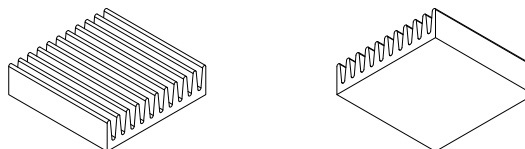
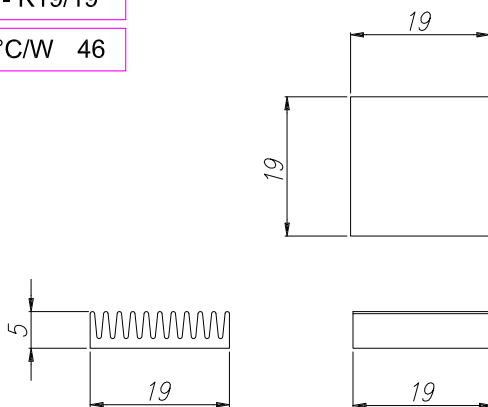
Aluminium, black anodized **on stock**  
 Aluminium, pre-black anodized on request  
 Aluminium, raw on request  
 Other dimensions on request  
 Adesive film on request



ST - K19/19

Rt °C/W 46

C



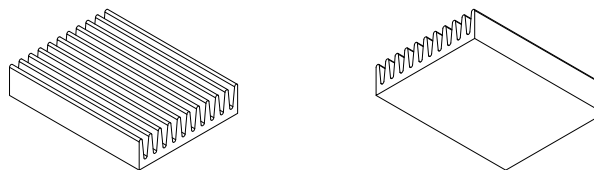
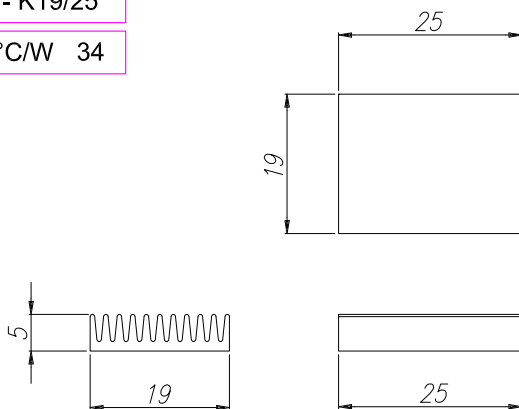
Aluminium, black anodized **on stock**  
 Aluminium, pre-black anodized on request  
 Aluminium, raw on request  
 Other dimensions on request  
 Adesive film on request



ST - K19/25

Rt °C/W 34

D



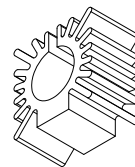
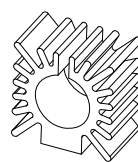
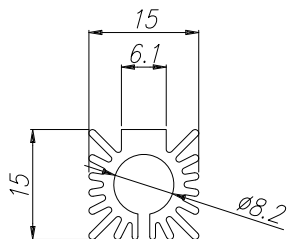
Aluminium, black anodized **on stock**  
 Aluminium, pre-black anodized on request  
 Aluminium, raw on request  
 Other dimensions on request  
 Adesive film on request



ST - T19

Rt °C/W 55

A



Aluminium, black anodized  
Aluminium, pre-black anodized  
Aluminium, raw  
Other dimensions on request

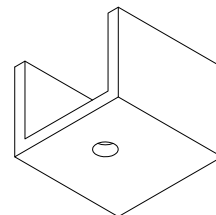
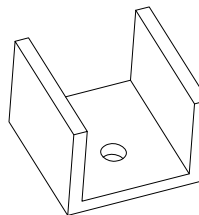
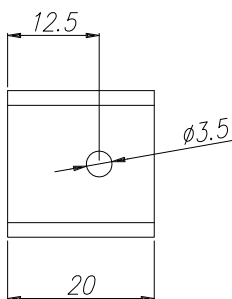
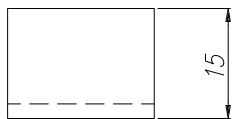
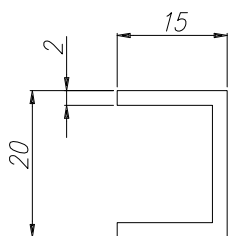
on stock  
on request  
on request



ST - T20

Rt °C/W 21

B



Aluminium, black anodized  
Aluminium, pre-black anodized  
Aluminium, raw  
Other dimensions on request

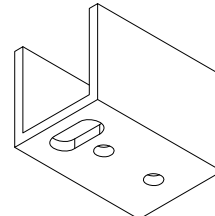
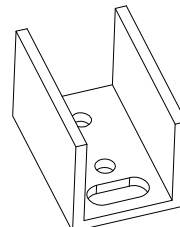
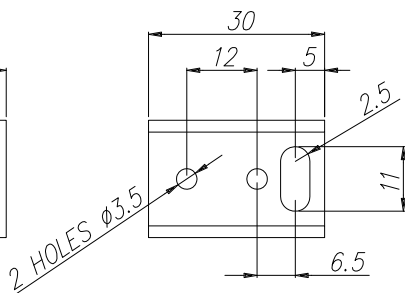
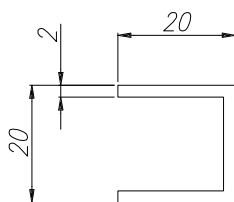
on stock  
on request  
on request



ST - T20C

Rt °C/W 14

C



Aluminium, black anodized  
Aluminium, pre-black anodized  
Aluminium, raw

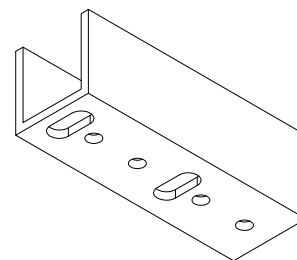
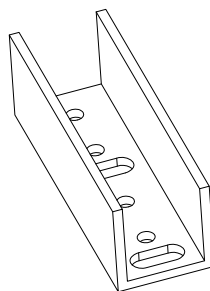
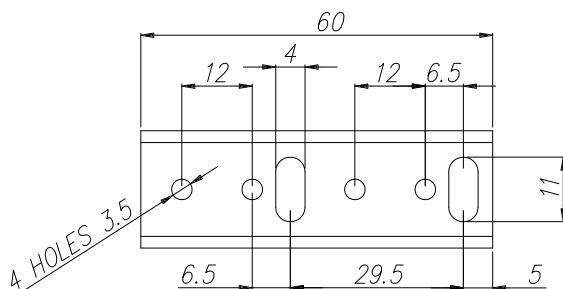
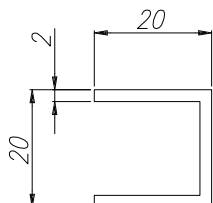
on stock  
on request  
on request



ST - T20D

Rt °C/W 9

D



Aluminium, black anodized  
Aluminium, pre-black anodized  
Aluminium, raw

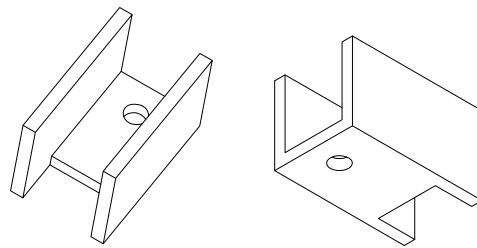
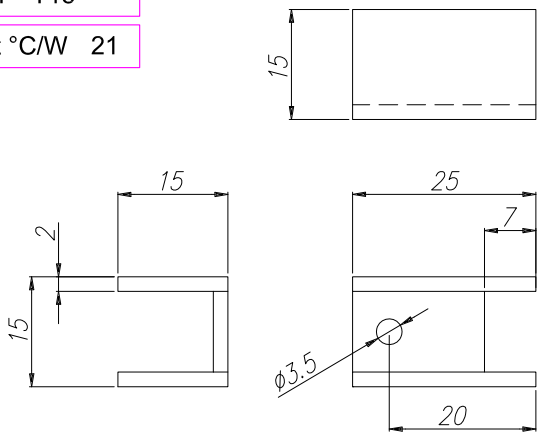
on stock  
on request  
on request



ST - T15

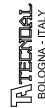
Rt °C/W 21

A



Aluminium, black anodized  
Aluminium, pre-black anodized  
Aluminium, raw  
Other dimensions on request

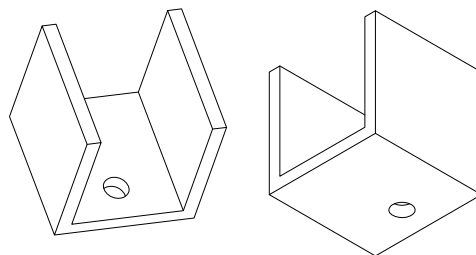
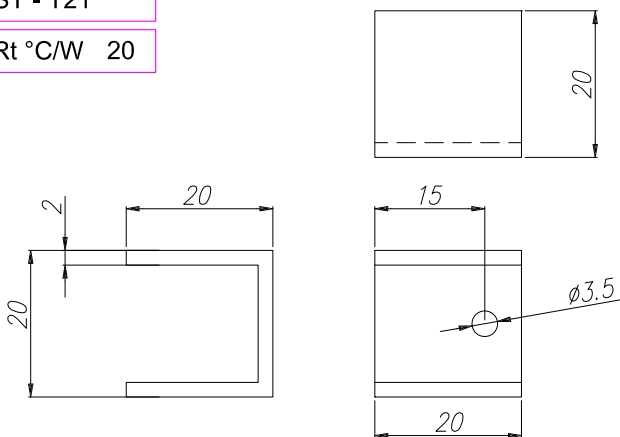
on stock  
on request  
on request



ST - T21

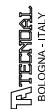
Rt °C/W 20

B



Aluminium, black anodized  
Aluminium, pre-black anodized  
Aluminium, raw  
Other dimensions on request

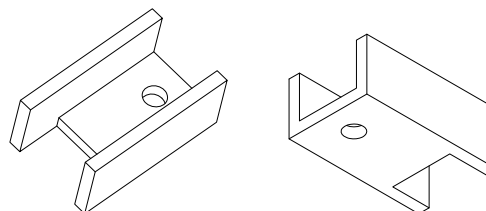
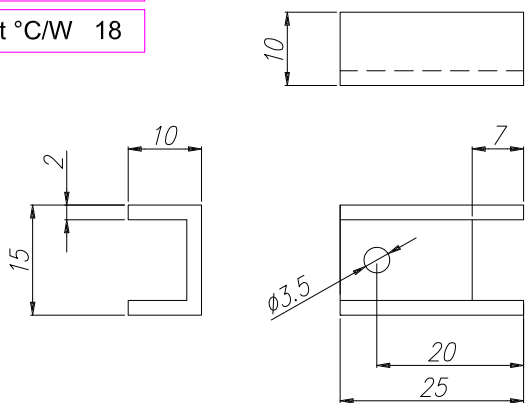
on stock  
on request  
on request



ST - T24A

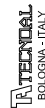
Rt °C/W 18

C



Aluminium, black anodized  
Aluminium, pre-black anodized  
Aluminium, raw  
Other dimensions on request

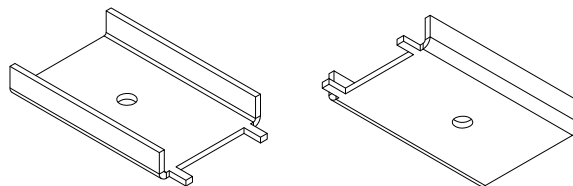
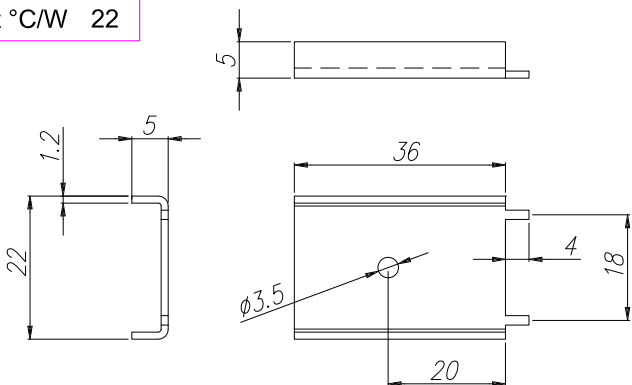
on stock  
on request  
on request



ST - T22

Rt °C/W 22

D



Aluminium, black anodized  
Aluminium, pre-black anodized  
Aluminium, raw  
Copper

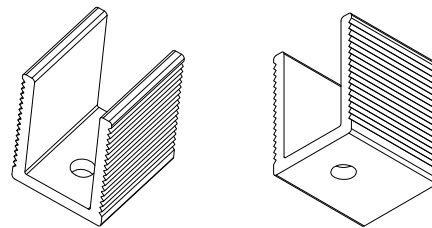
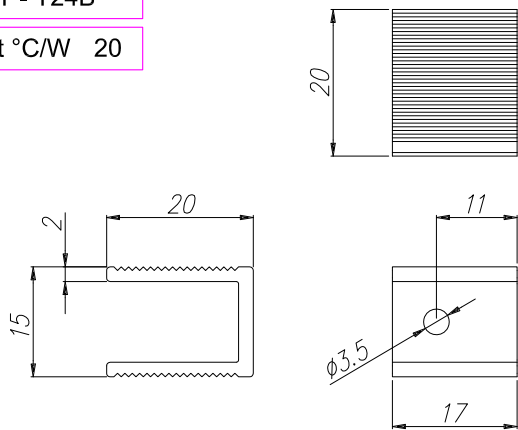
on stock  
on request  
on request  
on request



ST - T24B

Rt °C/W 20

A



Aluminium, black anodized  
Aluminium, pre-black anodized  
Aluminium, raw  
Other dimensions on request

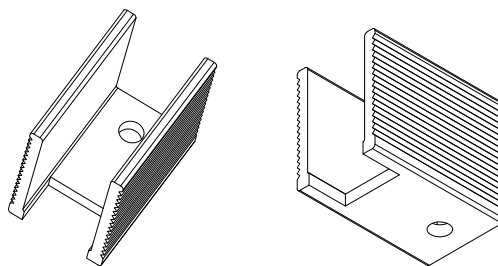
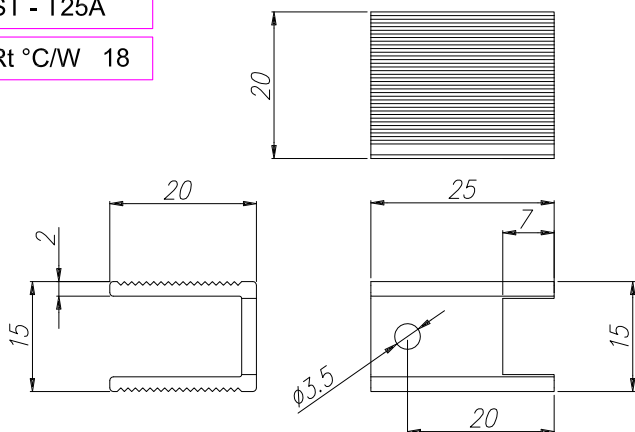
on stock  
on request  
on request



ST - T25A

Rt °C/W 18

B



Aluminium, black anodized  
Aluminium, pre-black anodized  
Aluminium, raw  
Other dimensions on request

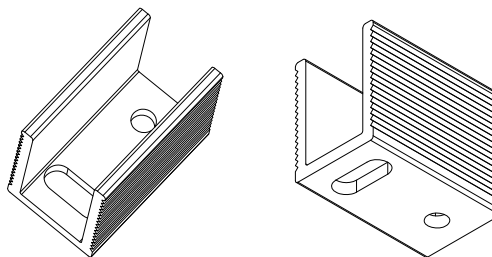
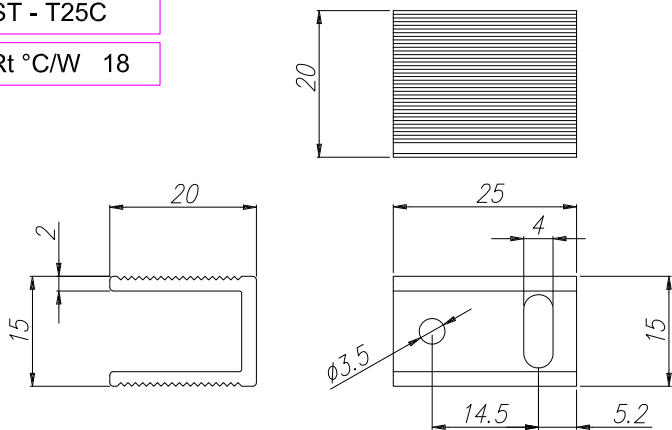
on stock  
on request  
on request



ST - T25C

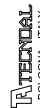
Rt °C/W 18

C



Aluminium, black anodized  
Aluminium, pre-black anodized  
Aluminium, raw  
Other dimensions on request

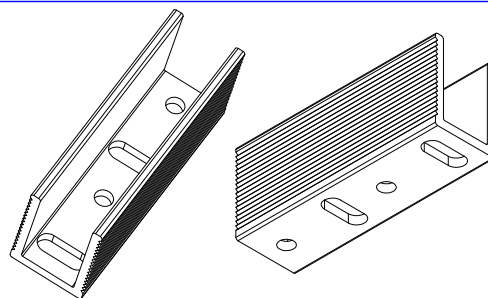
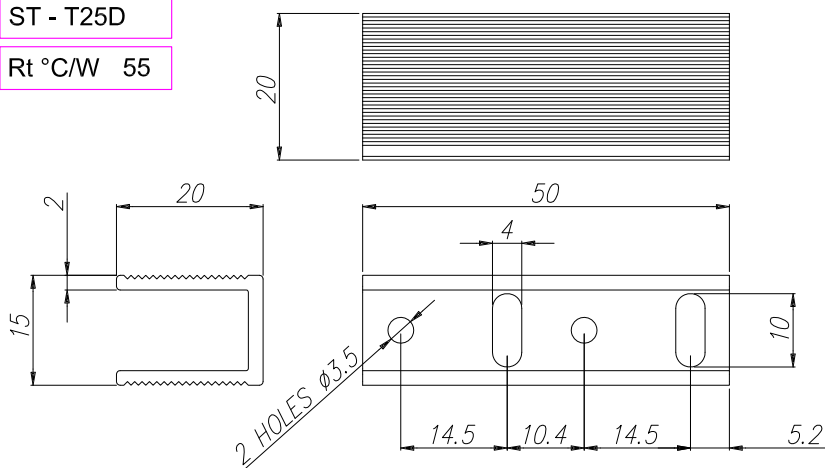
on stock  
on request  
on request



ST - T25D

Rt °C/W 55

D



Aluminium, black anodized  
Aluminium, pre-black anodized  
Aluminium, raw  
Other dimensions on request

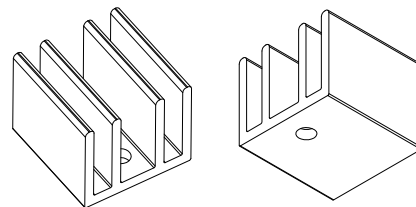
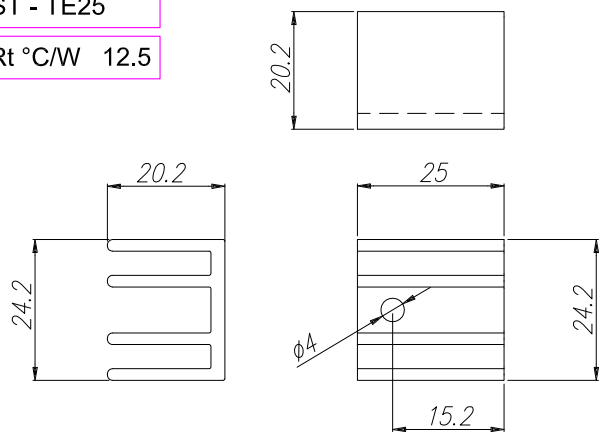
on stock  
on request  
on request



ST - TE25

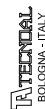
Rt °C/W 12.5

A



Aluminium, black anodized  
Aluminium, pre-black anodized  
Aluminium, raw  
Other dimensions on request

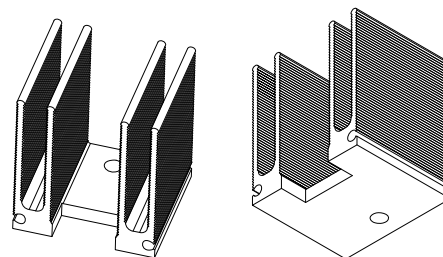
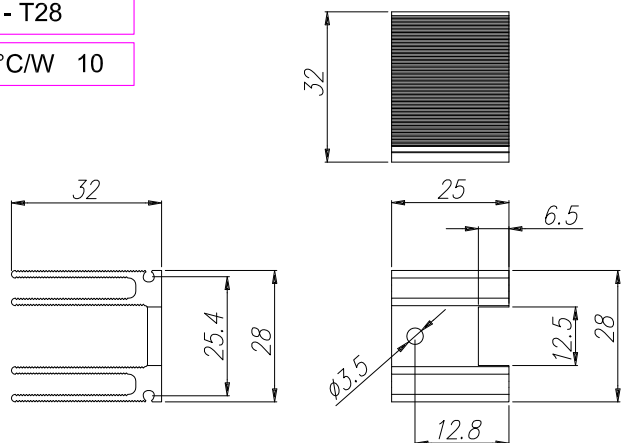
on stock  
on request  
on request



ST - T28

Rt °C/W 10

B



Aluminium, black anodized  
Aluminium, pre-black anodized  
Aluminium, raw  
Other dimensions on request

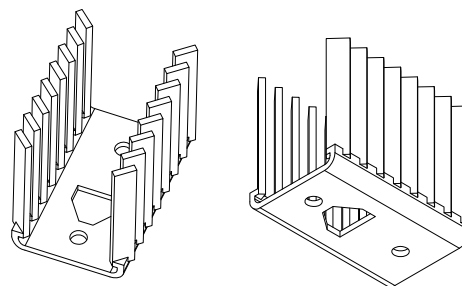
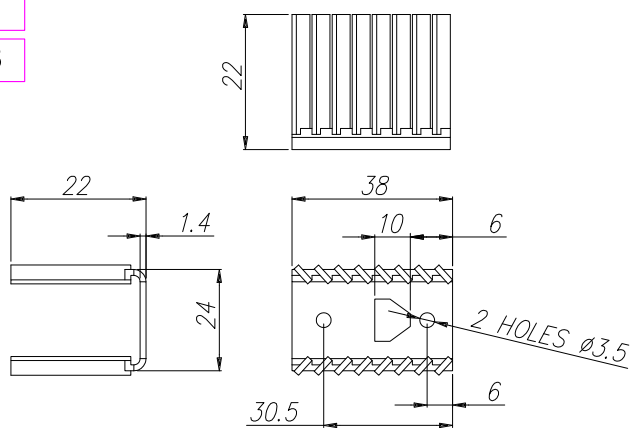
on stock  
on request  
on request



ST - TEA28

Rt °C/W 15

C



Aluminium, black anodized  
Aluminium, raw

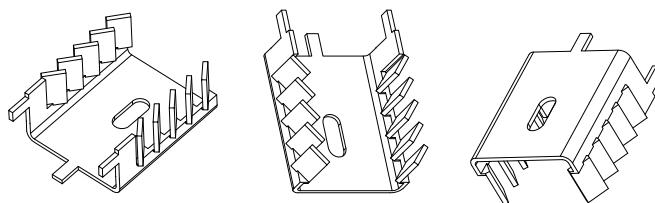
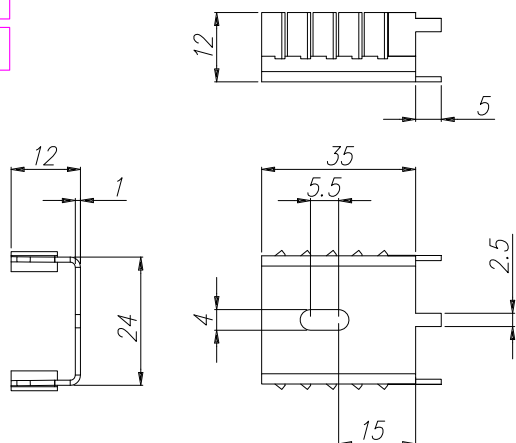
on stock  
on request



ST - TE28

Rt °C/W 14

D



Aluminium, black anodized  
Aluminium, pre-black anodized  
Aluminium, raw  
Copper

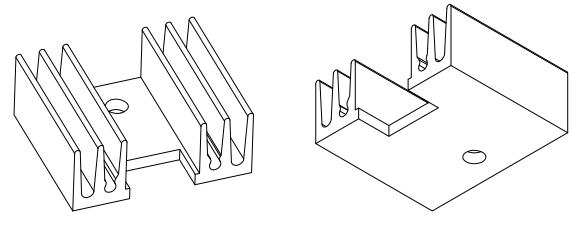
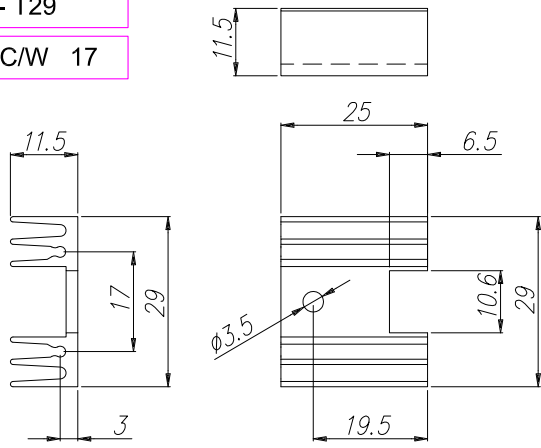
on stock  
on request  
on request  
on request



ST - T29

Rt °C/W 17

A



Aluminium, black anodized  
Aluminium, pre-black anodized  
Aluminium, raw  
Other dimensions on request

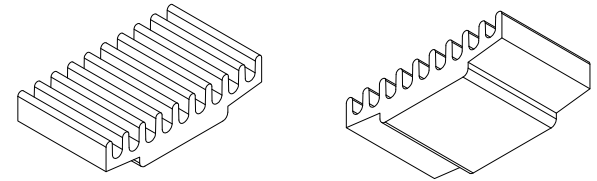
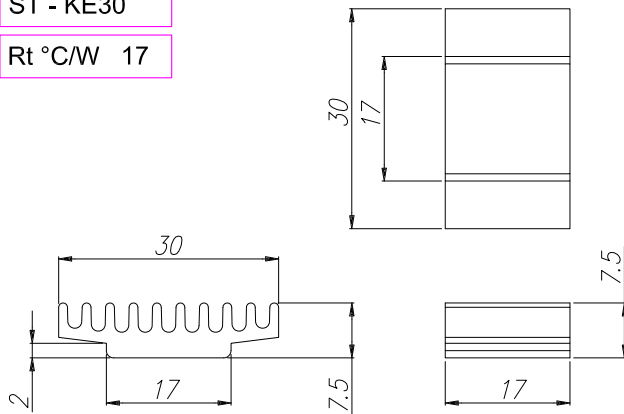
on stock  
on request  
on request



ST - KE30

Rt °C/W 17

B



Aluminium, black anodized  
Aluminium, pre-black anodized  
Aluminium, raw  
Other dimensions on request  
Adesive film on request

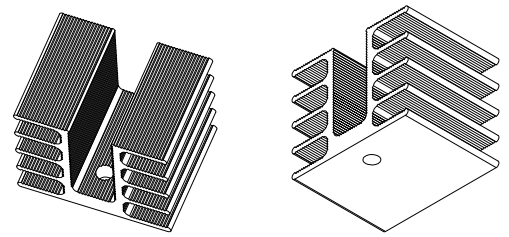
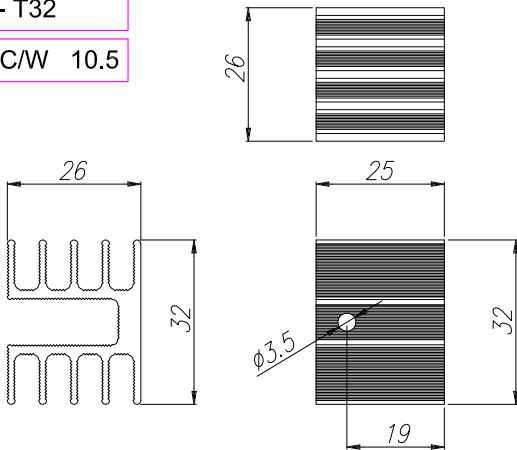
on stock  
on request  
on request



ST - T32

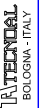
Rt °C/W 10.5

C



Aluminium, black anodized  
Aluminium, pre-black anodized  
Aluminium, raw  
Other dimensions on request

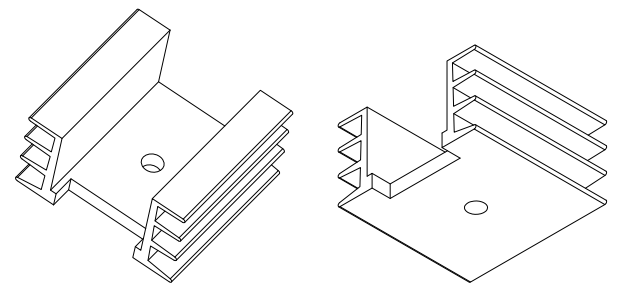
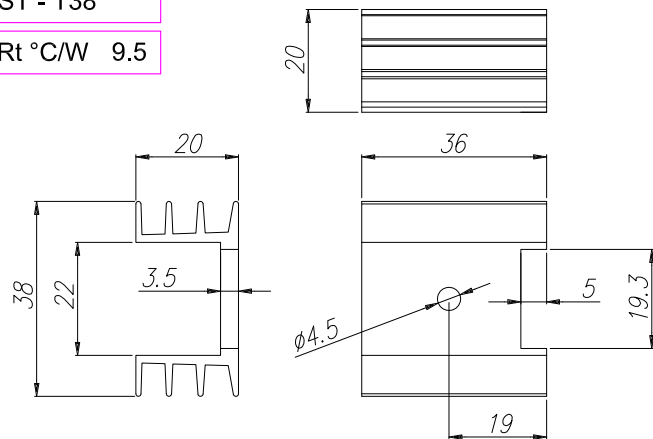
on stock  
on request  
on request



ST - T38

Rt °C/W 9.5

D



Aluminium, black anodized  
Aluminium, pre-black anodized  
Aluminium, raw  
Other dimensions on request

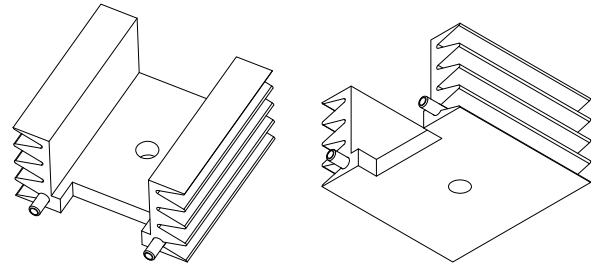
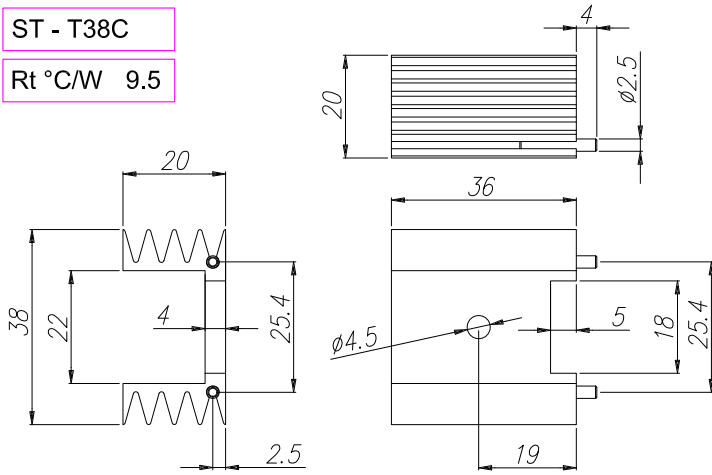
on stock  
on request  
on request



ST - T38C

Rt °C/W 9.5

A



Aluminium, black anodized  
Aluminium, pre-black anodized  
Aluminium, raw  
Available with pins for PCB assembly  
Other dimensions on request

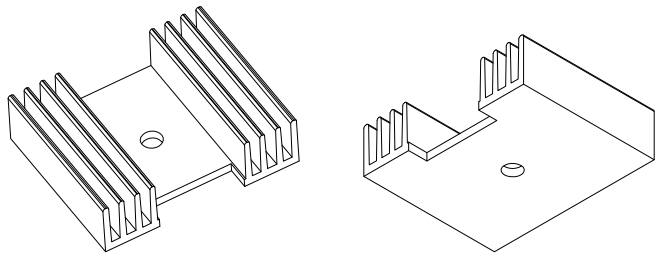
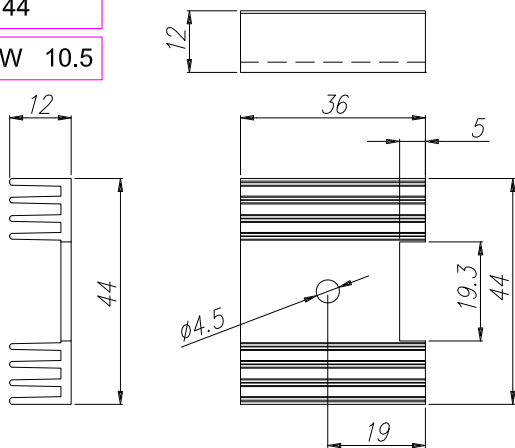
on stock  
on request  
on request



ST - T44

Rt °C/W 10.5

B



Aluminium, black anodized  
Aluminium, pre-black anodized  
Aluminium, raw  
Other dimensions on request

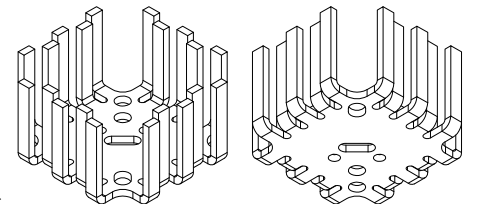
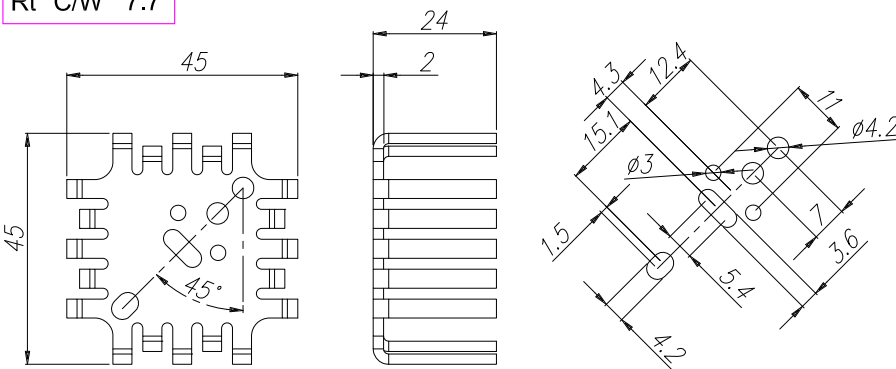
on stock  
on request  
on request



ST - 45FM

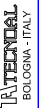
Rt °C/W 7.7

C



Aluminium, black anodized  
Aluminium, raw

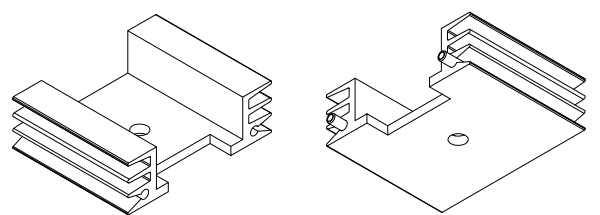
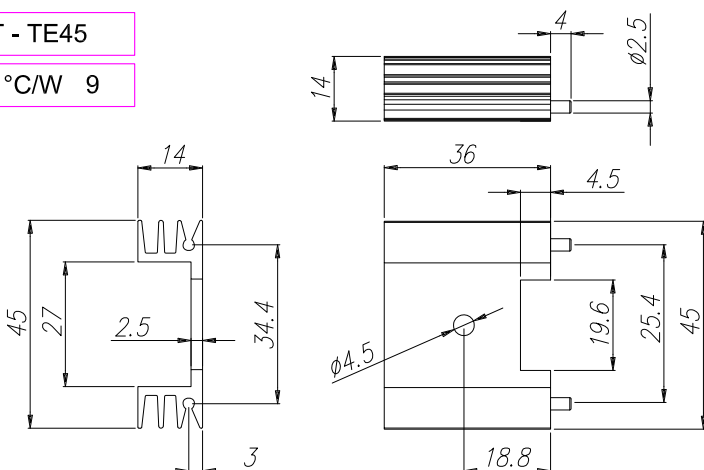
on stock  
on request



ST - TE45

Rt °C/W 9

D



Aluminium, black anodized  
Aluminium, pre-black anodized  
Aluminium, raw  
Available with pins for PCB assembly  
Other dimensions on request

on stock  
on request  
on request





ST - TEA35 ST-TEA40 ST-TEA41 ST-TEA45

I modelli ST-TEA35, ST-TEA40, ST-TEA41 e ST-TEA45 sono concepiti per poter montare il componente sia tramite l' utilizzo di una molla che tramite viti di fissaggio. Il dissipatore può essere fornito provvisto di pins stagnati, quindi saldabili al circuito stampato.

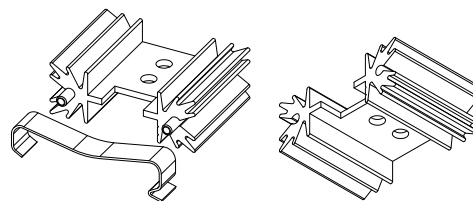
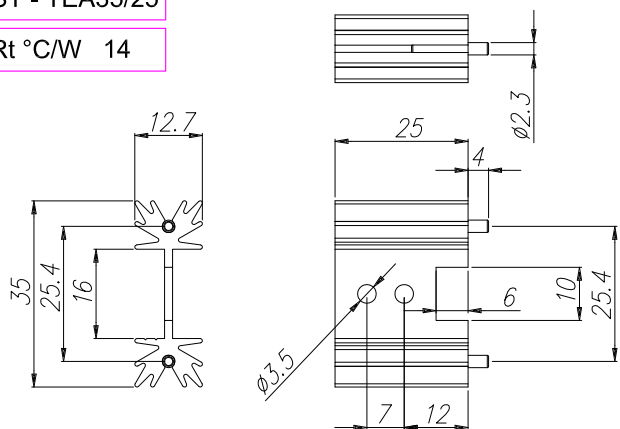
STANDARD HEATSINKS - DISSIPATORI STANDARD

A

ST - TEA35/25

Rt °C/W 14

B



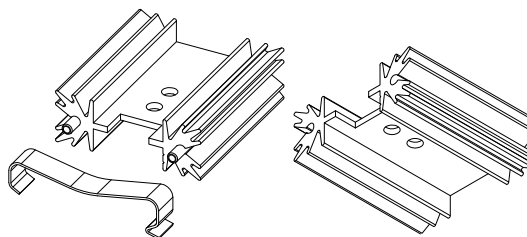
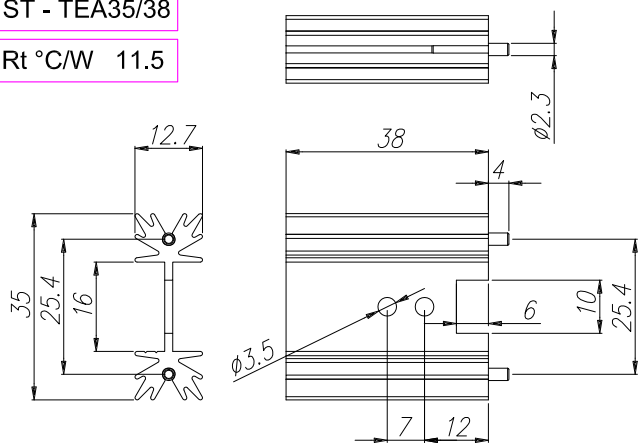
Aluminium, black anodized **on stock**  
 Aluminium, pre-black anodized **on request**  
 Aluminium, raw **on request**  
 Available with pins for PCB assembly  
 Available with clip  
 Other dimensions on request

ATEMNAL  
BOLOGNA - ITALY

ST - TEA35/38

Rt °C/W 11.5

C



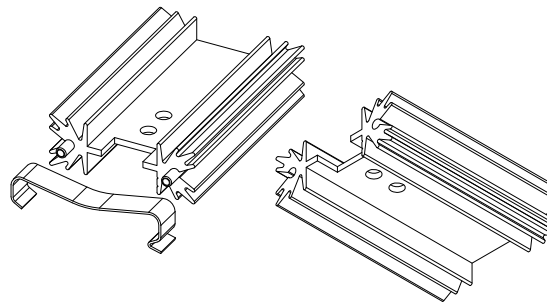
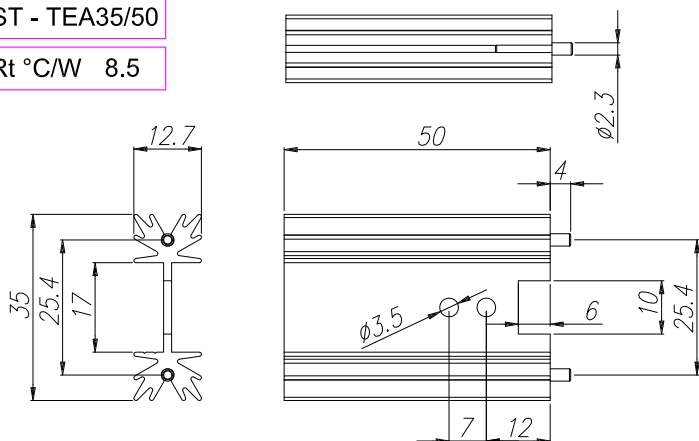
Aluminium, black anodized **on stock**  
 Aluminium, pre-black anodized **on request**  
 Aluminium, raw **on request**  
 Available with pins for PCB assembly  
 Available with clip  
 Other dimensions on request

ATEMNAL  
BOLOGNA - ITALY

ST - TEA35/50

Rt °C/W 8.5

D



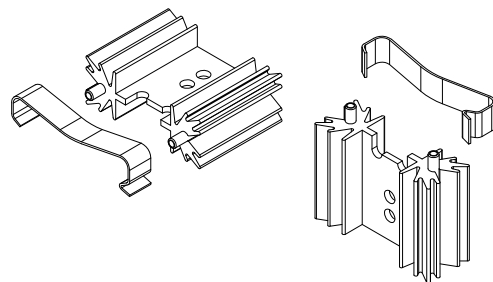
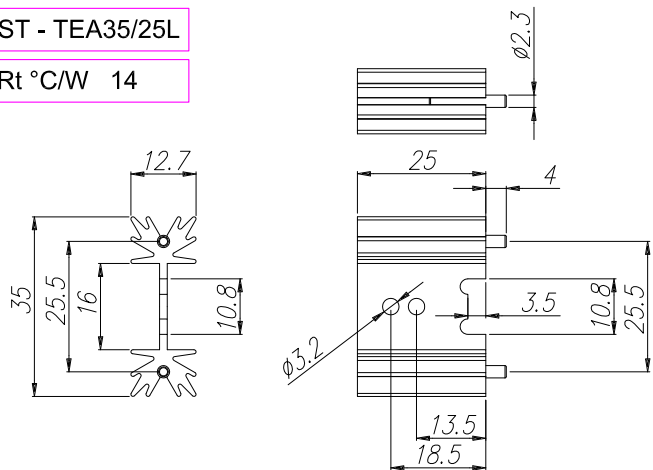
Aluminium, black anodized **on stock**  
 Aluminium, pre-black anodized **on request**  
 Aluminium, raw **on request**  
 Available with pins for PCB assembly  
 Available with clip  
 Other dimensions on request

ATEMNAL  
BOLOGNA - ITALY

**ST - TEA35/25L**

Rt °C/W 14

A



Aluminium, black anodized  
 Aluminium, pre-black anodized  
 Aluminium, raw  
 Available with pins for PCB assembly  
 Available with clip  
 Other dimensions on request

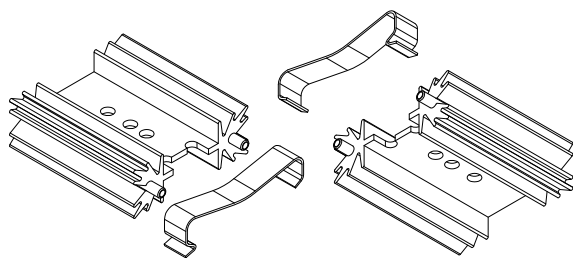
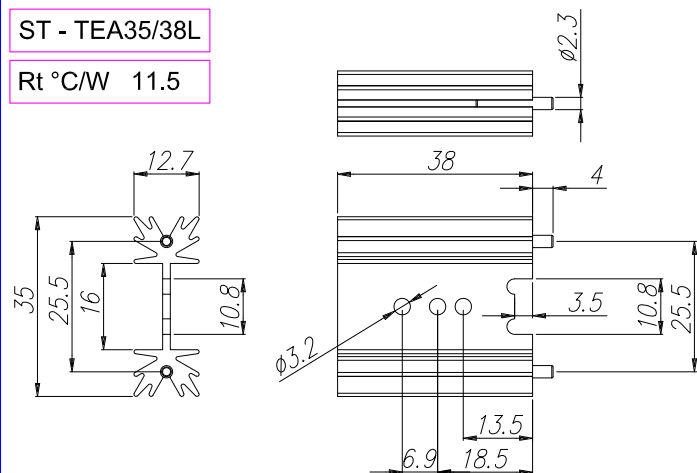
**on stock**  
 on request  
 on request



**ST - TEA35/38L**

Rt °C/W 11.5

B



Aluminium, black anodized  
 Aluminium, pre-black anodized  
 Aluminium, raw  
 Available with pins for PCB assembly  
 Available with clip  
 Other dimensions on request

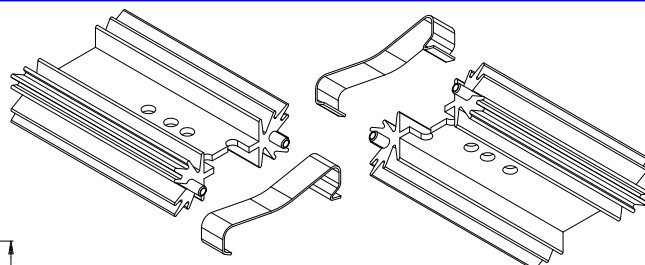
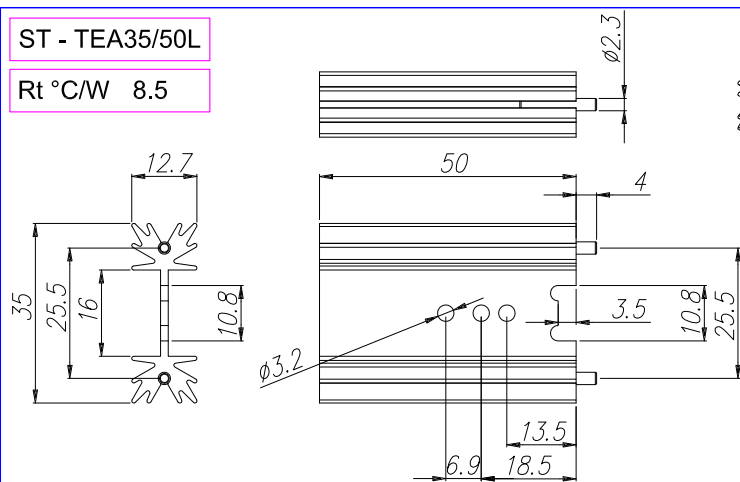
**on stock**  
 on request  
 on request



**ST - TEA35/50L**

Rt °C/W 8.5

C



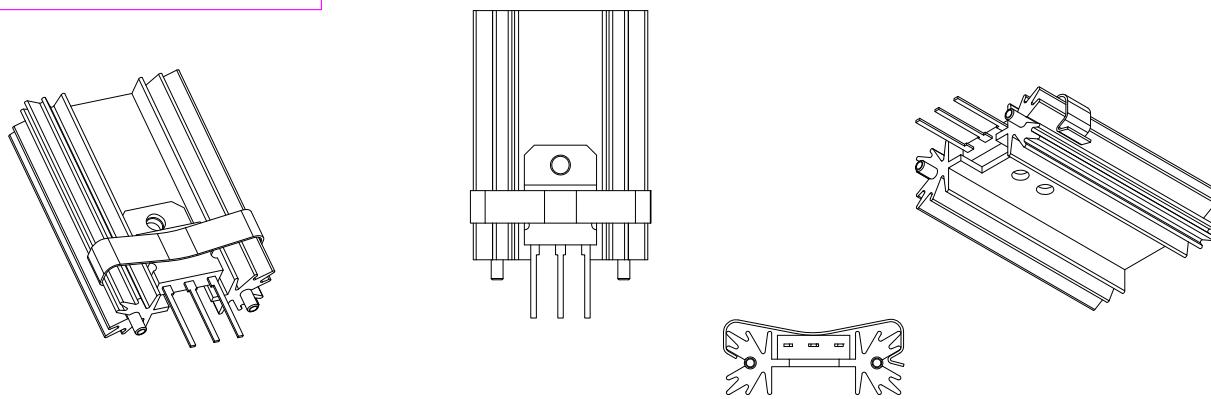
Aluminium, black anodized  
 Aluminium, pre-black anodized  
 Aluminium, raw  
 Available with pins for PCB assembly  
 Available with clip  
 Other dimensions on request

**on stock**  
 on request  
 on request



**MOLLE: ESEMPI DI UTILIZZO**

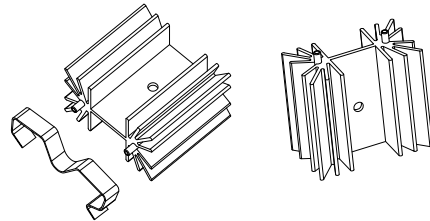
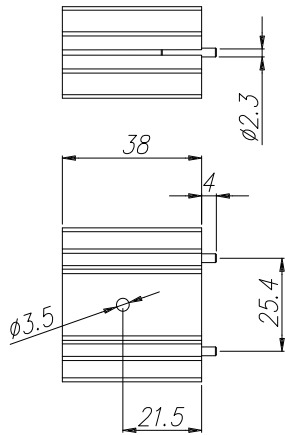
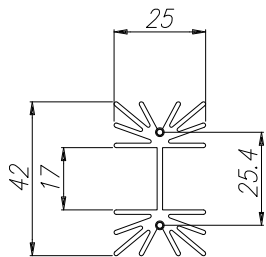
D



ST - TEA40/38

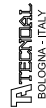
Rt °C/W 8

A



Aluminium, black anodized  
Aluminium, pre-black anodized  
Aluminium, raw  
Available with pins for PCB assembly  
Available with clip  
Other dimensions on request

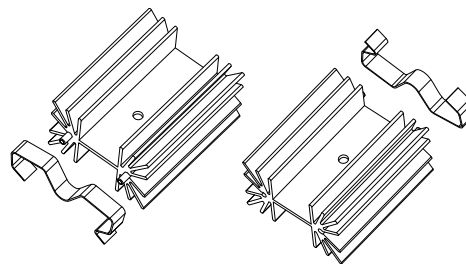
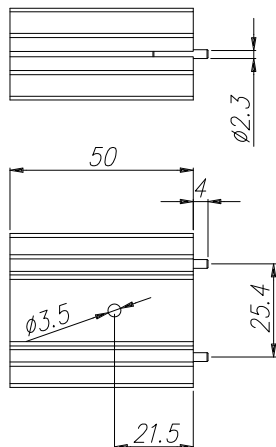
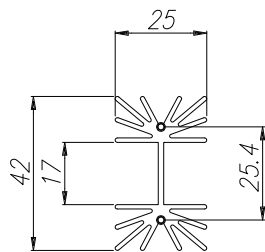
on stock  
on request  
on request



ST - TEA40/50

Rt °C/W 6

B



Aluminium, black anodized  
Aluminium, pre-black anodized  
Aluminium, raw  
Available with pins for PCB assembly  
Available with clip  
Other dimensions on request

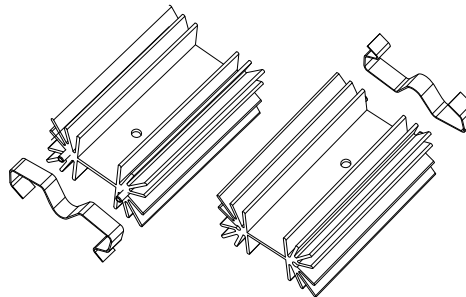
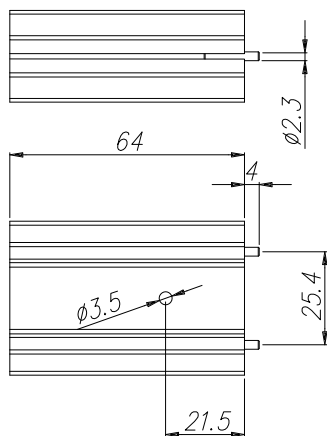
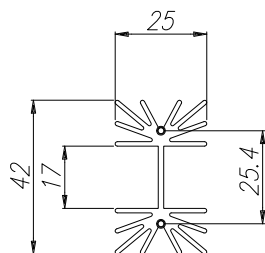
on stock  
on request  
on request



ST - TEA40/64

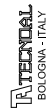
Rt °C/W 5

C



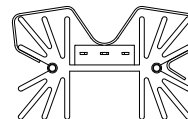
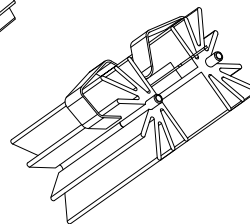
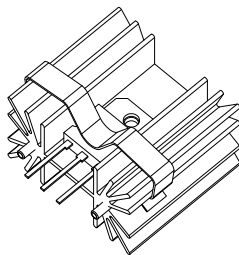
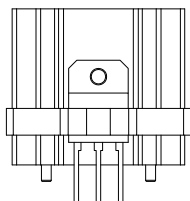
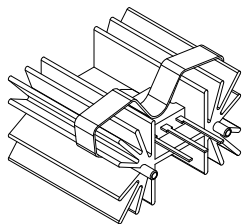
Aluminium, black anodized  
Aluminium, pre-black anodized  
Aluminium, raw  
Available with pins for PCB assembly  
Available with clip  
Other dimensions on request

on stock  
on request  
on request



MOLLE: ESEMPI DI UTILIZZO

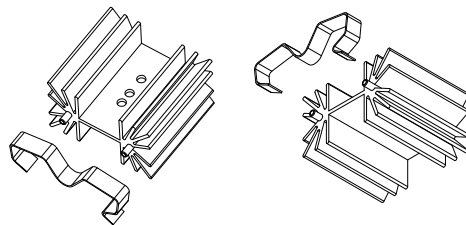
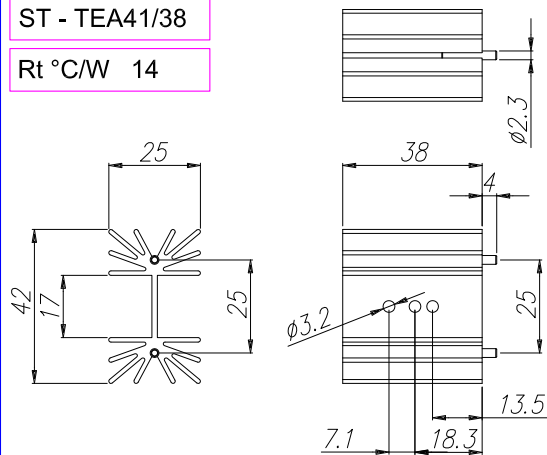
D



ST - TEA41/38

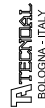
Rt °C/W 14

A



Aluminium, black anodized  
Aluminium, pre-black anodized  
Aluminium, raw  
Available with pins for PCB assembly  
Available with clip  
Other dimensions on request

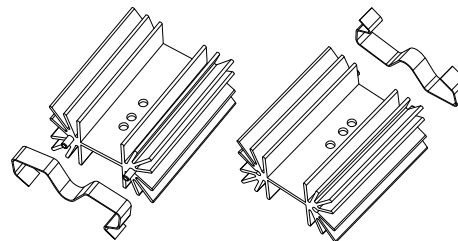
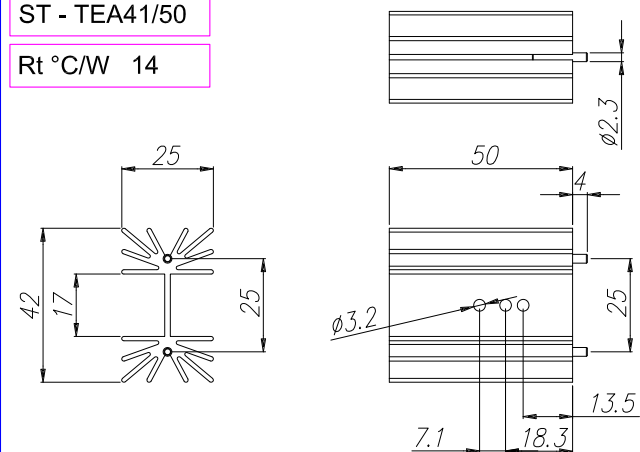
on stock  
on request



ST - TEA41/50

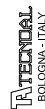
Rt °C/W 14

B



Aluminium, black anodized  
Aluminium, pre-black anodized  
Aluminium, raw  
Available with pins for PCB assembly  
Available with clip  
Other dimensions on request

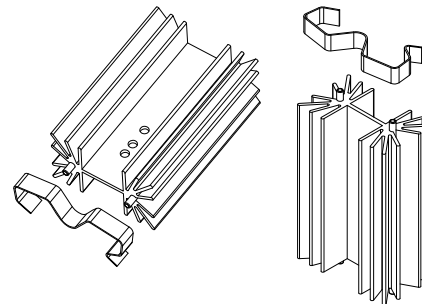
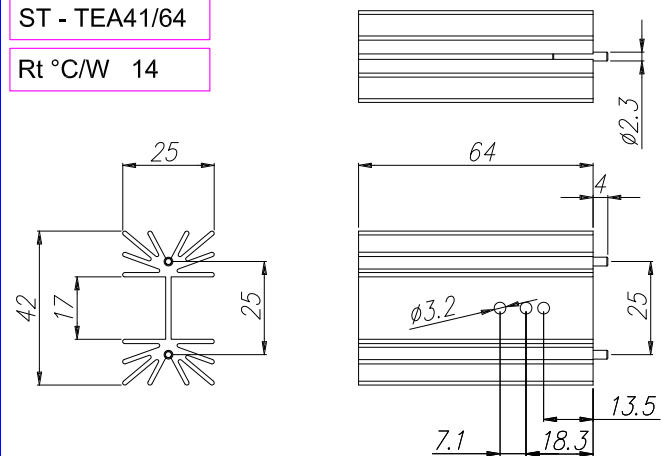
on stock  
on request



ST - TEA41/64

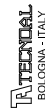
Rt °C/W 14

C



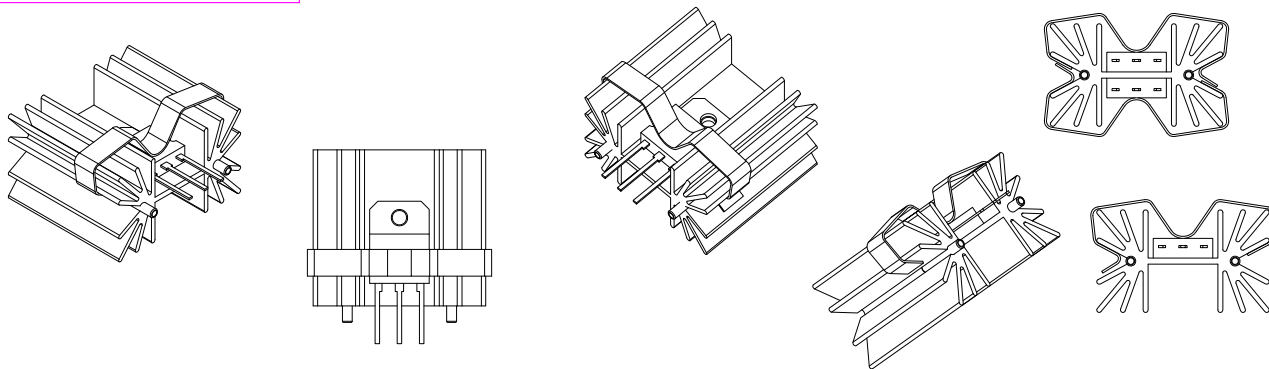
Aluminium, black anodized  
Aluminium, pre-black anodized  
Aluminium, raw  
Available with pins for PCB assembly  
Available with clip  
Other dimensions on request

on stock  
on request



MOLLE: ESEMPI DI UTILIZZO

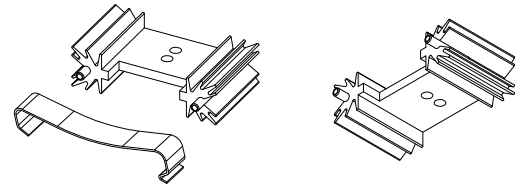
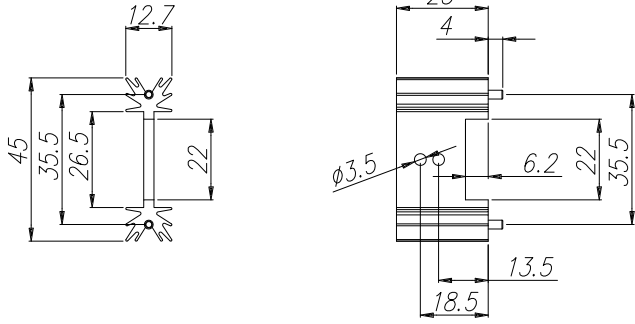
D



ST - TEA45/25

Rt °C/W 8.2

A



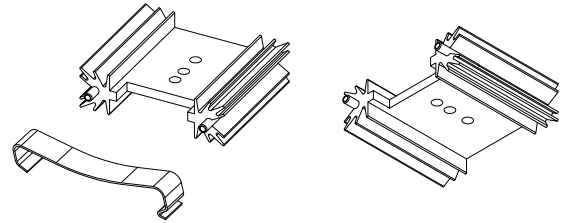
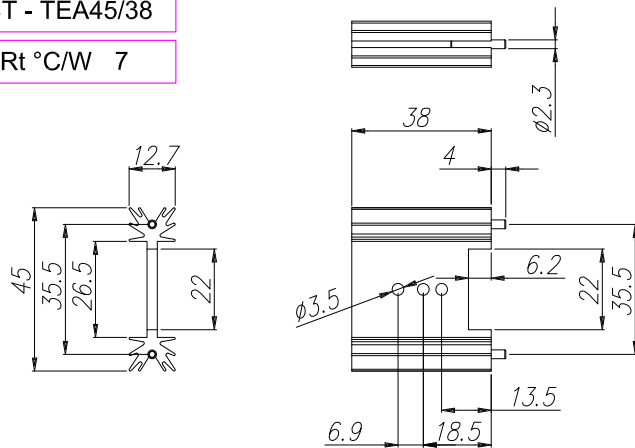
Aluminium, black anodized **on stock**  
 Aluminium, pre-black anodized on request  
 Aluminium, raw on request  
 Available with pins for PCB assembly  
 Available with clip  
 Other dimensions on request



ST - TEA45/38

Rt °C/W 7

B



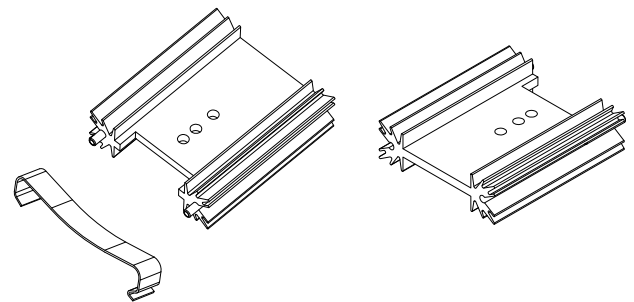
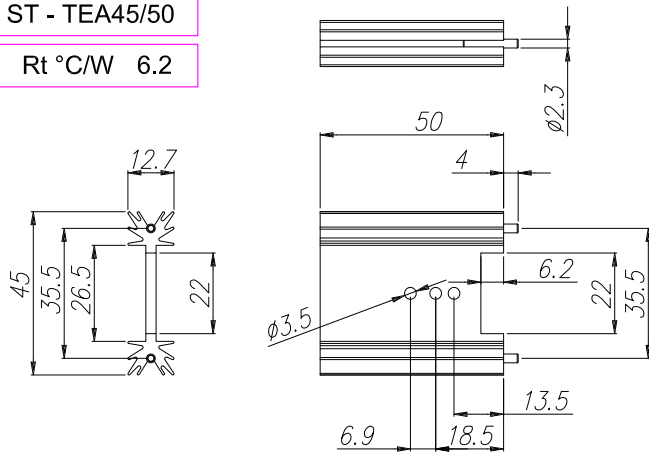
Aluminium, black anodized **on stock**  
 Aluminium, pre-black anodized on request  
 Aluminium, raw on request  
 Available with pins for PCB assembly  
 Available with clip  
 Other dimensions on request



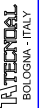
ST - TEA45/50

Rt °C/W 6.2

C



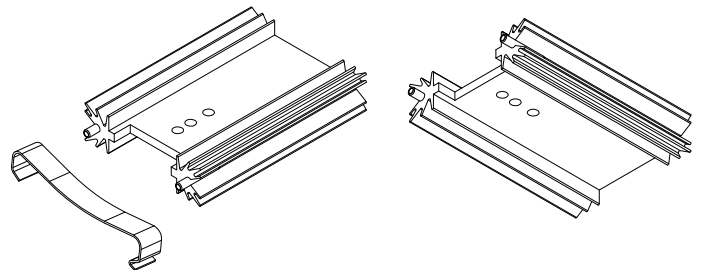
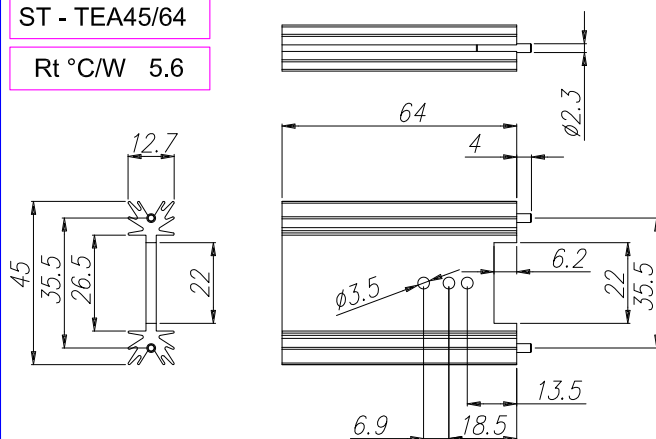
Aluminium, black anodized **on stock**  
 Aluminium, pre-black anodized on request  
 Aluminium, raw on request  
 Available with pins for PCB assembly  
 Available with clip  
 Other dimensions on request



ST - TEA45/64

Rt °C/W 5.6

D



Aluminium, black anodized **on stock**  
 Aluminium, pre-black anodized on request  
 Aluminium, raw on request  
 Available with pins for PCB assembly  
 Available with clip  
 Other dimensions on request

